

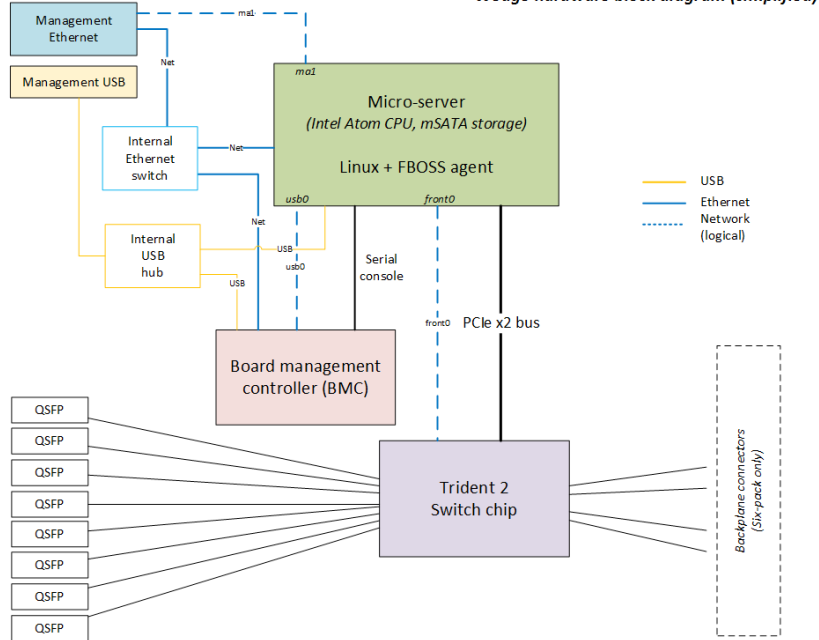


Wedge 40, FBOSS and OpenBMC

Daide Cavalca – Facebook

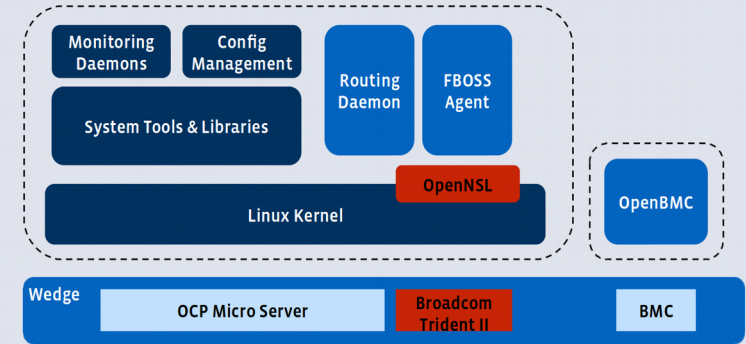
What is demonstrated

Wedge hardware block diagram (simplified)

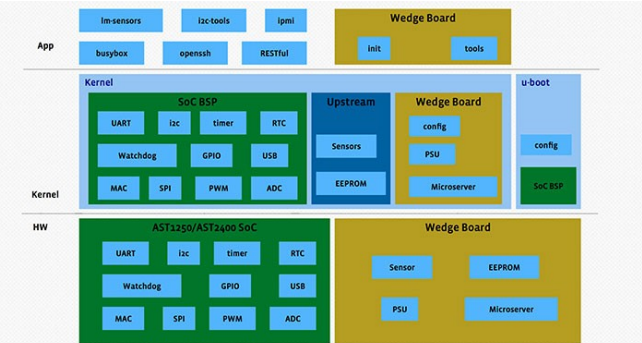


- BMC – ARM SoC running OpenBMC (based on Yocto) provides LOM (console, fans & power management)
- Microserver – x86 SoC running FBOSS (on Linux, e.g. ONL) provides management and control
- Broadcom Trident2 – 40Gb switching ASIC

FBOSS Overview



OpenBMC Overview



Source code or detail technical information availability

Search for Wedge, FBOSS, OpenBMC on <https://code.facebook.com> <http://opencompute.org>

Hardware Information

