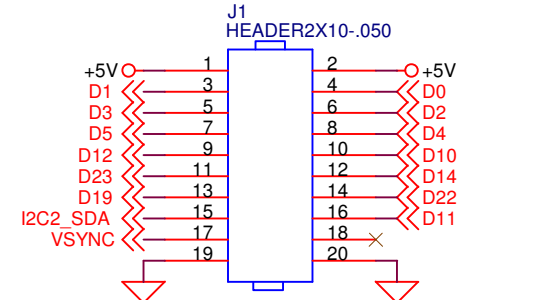
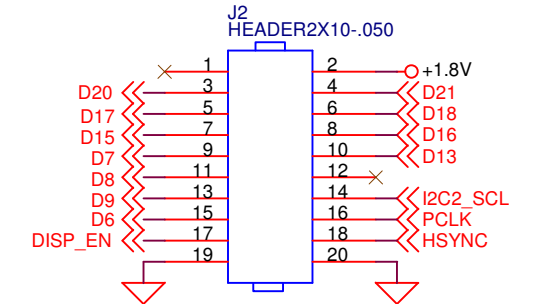


### LCD EXPANSION CONNECTORS

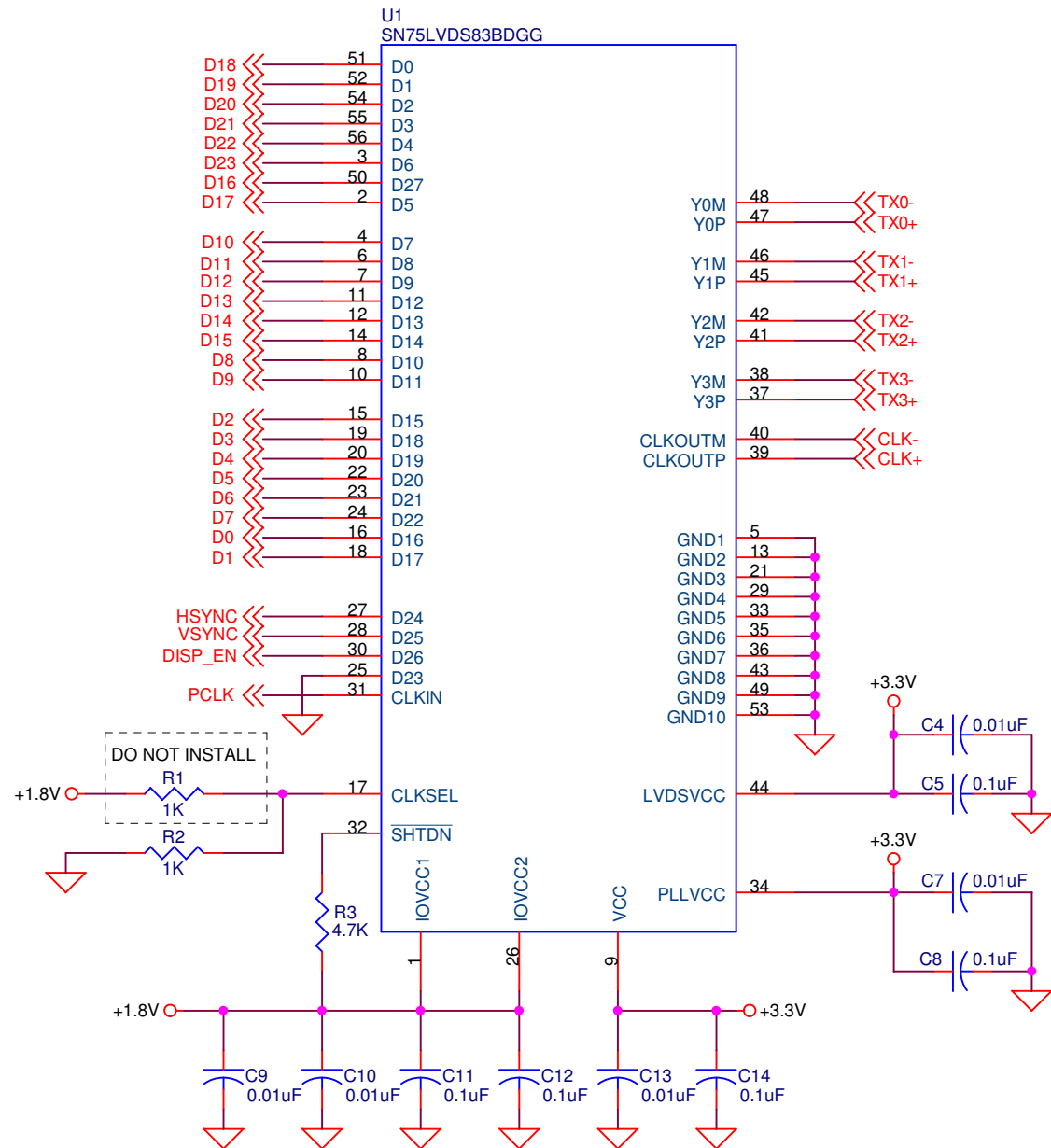
#### PANDA BOARD LCD CONNECTOR A



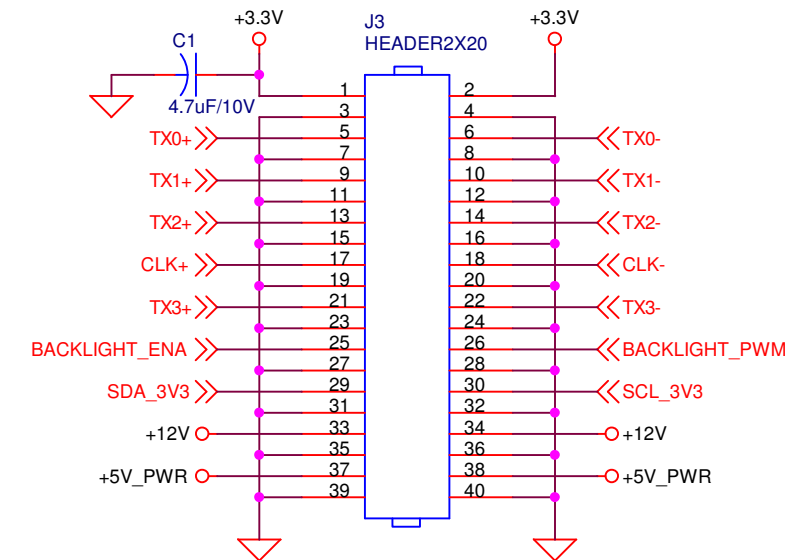
#### PANDA BOARD LCD CONNECTOR B



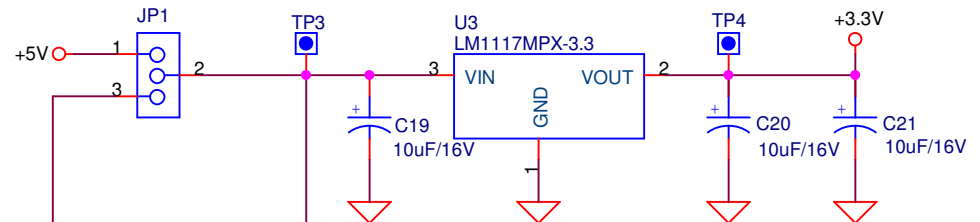
### LVDS TRANSMITTER



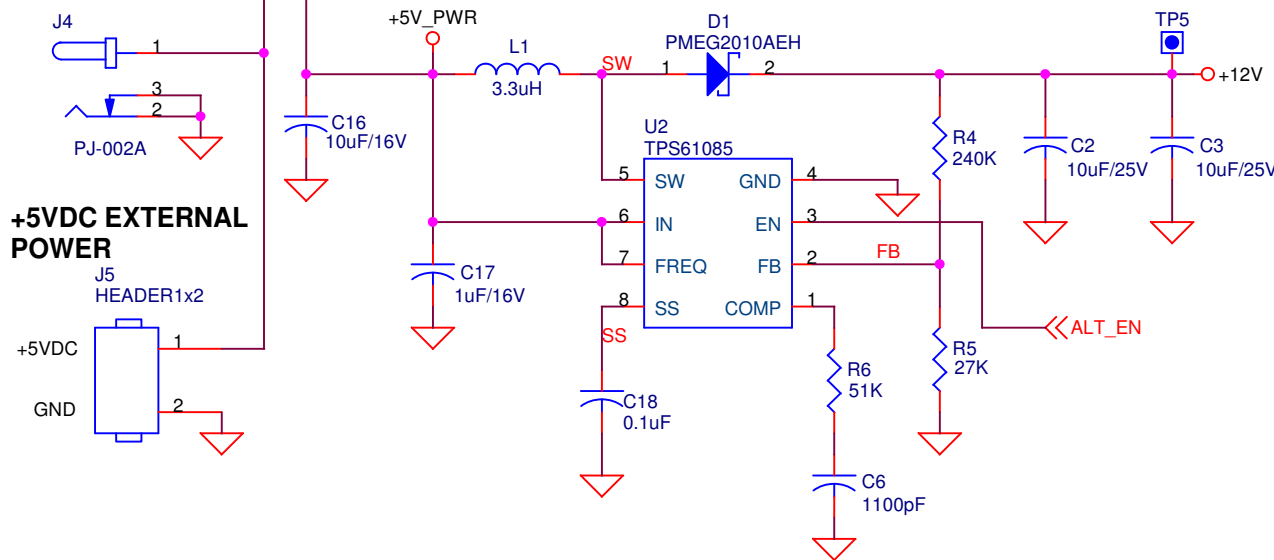
### LCD INTERFACE



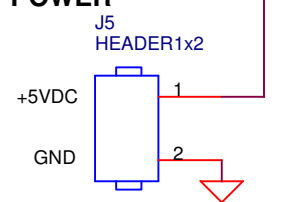
### 3.3V @ 800mA POWER



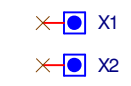
### +12V LED POWER



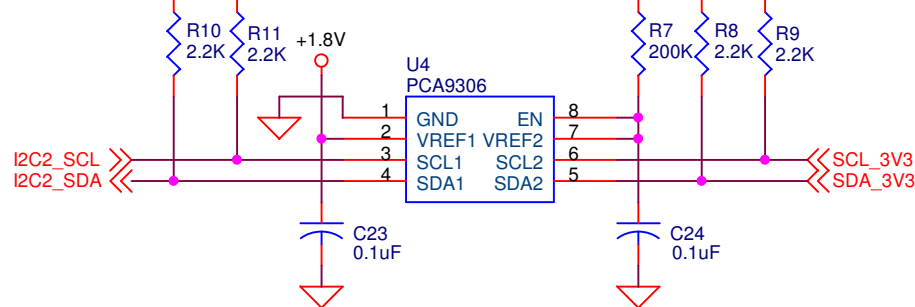
### +5VDC EXTERNAL POWER



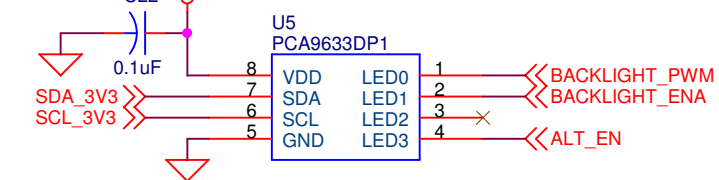
### MOUNTING HOLES



### I2C LEVEL SHIFTER



### PWM CONTROLLER



www.TinCanTools.com		
Title <b>Animal LVDS Mini Board</b>		
Size B	Document Number <b>animal-lvds-mini_rev-a</b>	Rev <b>A</b>
Date:	Saturday, January 7, 2012	Sheet 1 of 1