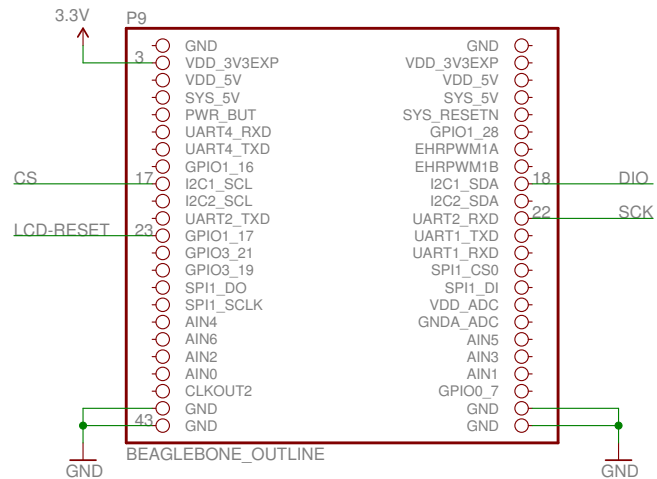
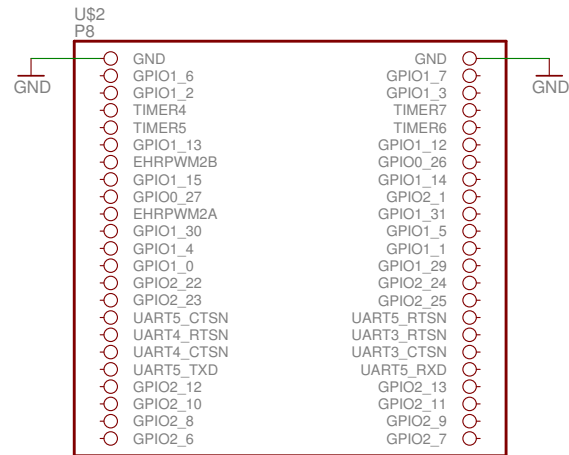
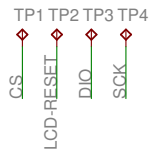
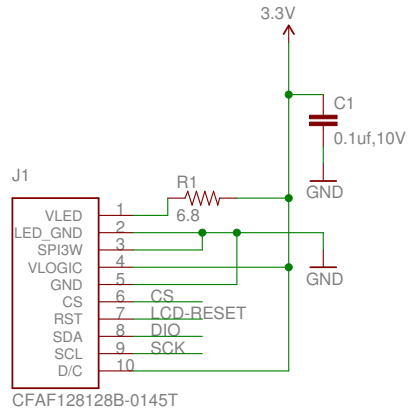


⊗ ⊗ ⊗



TITLE: MiniDisplay_Cape_A1

Document Number:

REV:

Date: 11/25/13 10:46 AM

Sheet: 1/1