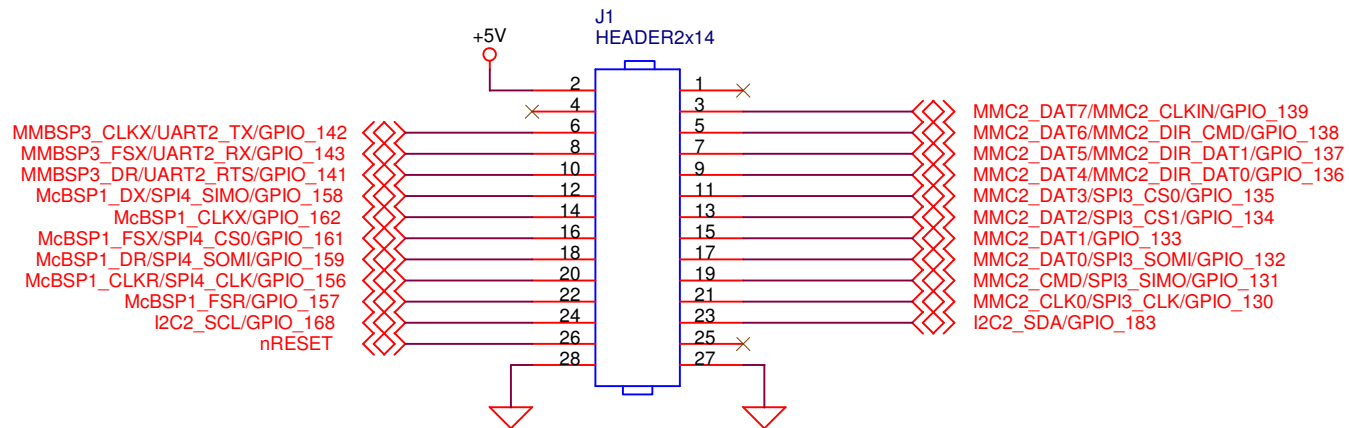
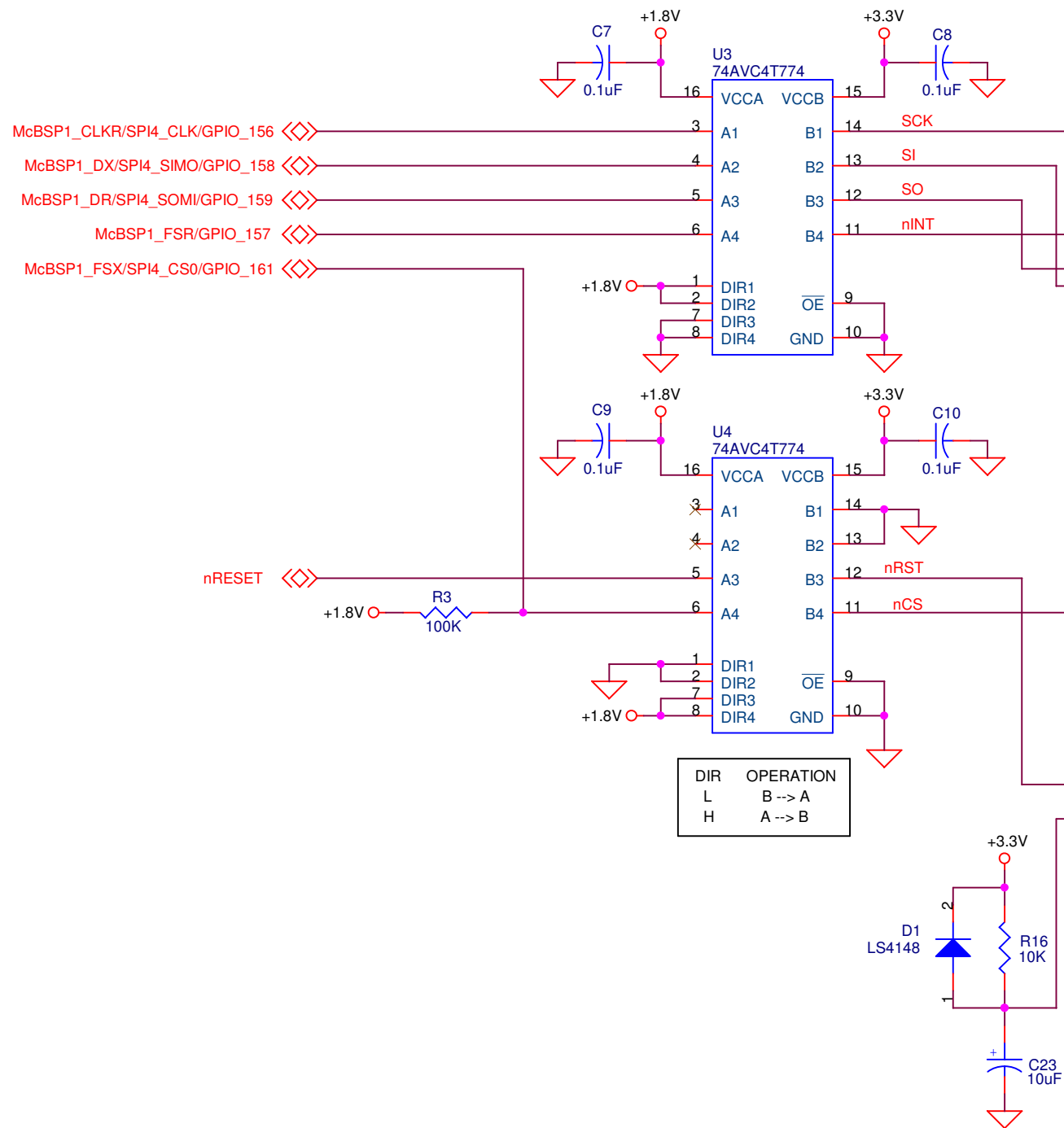


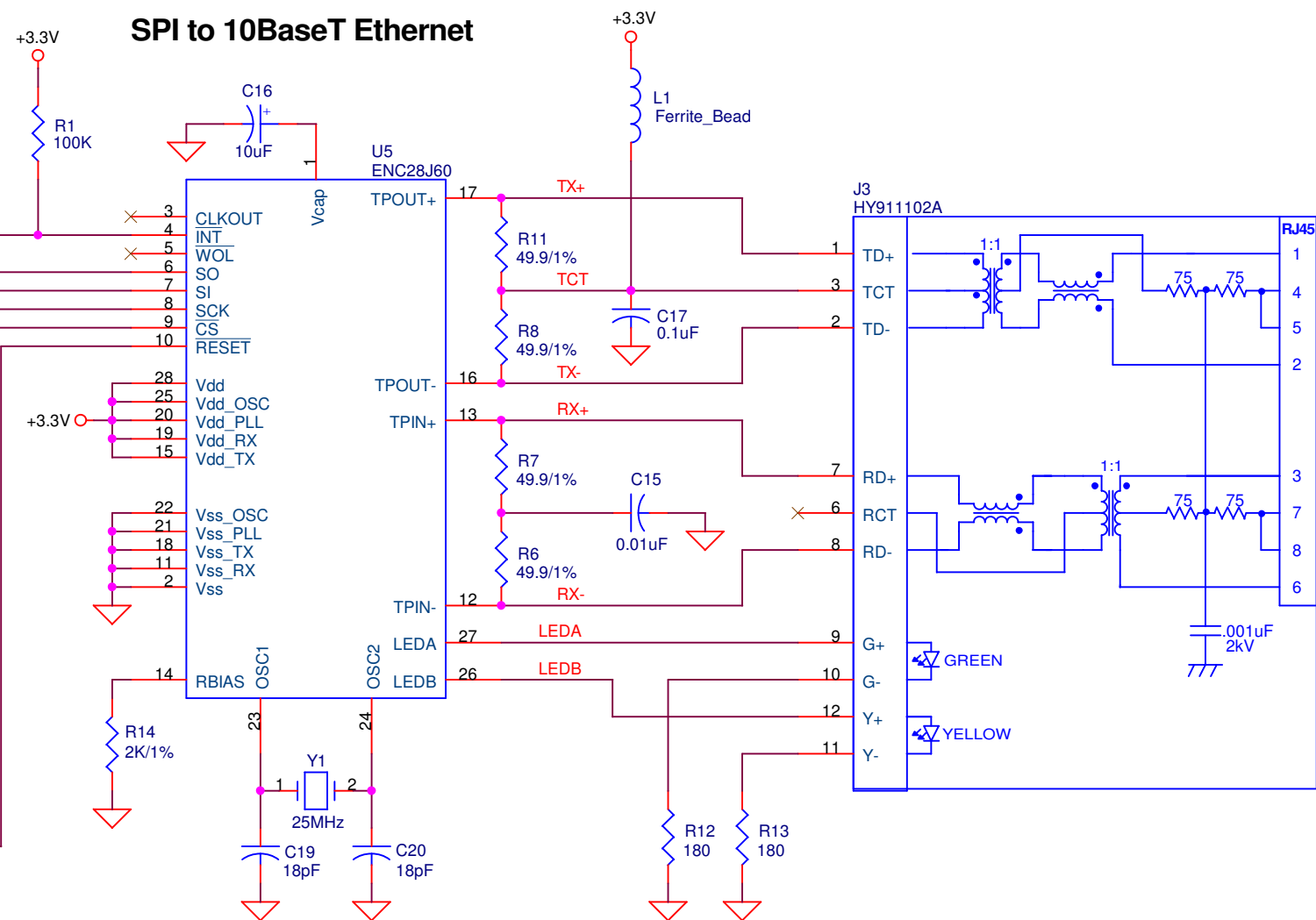
BEAGLEBOARD EXPANSION CONNECTOR



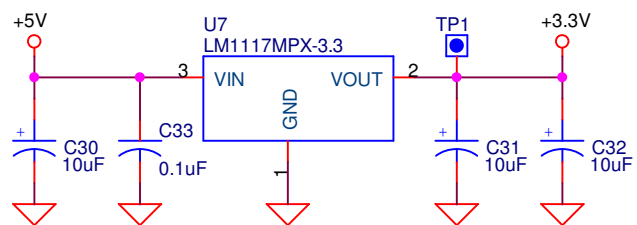
1.8V to 3.3V Level Translators



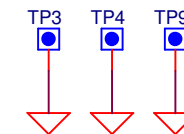
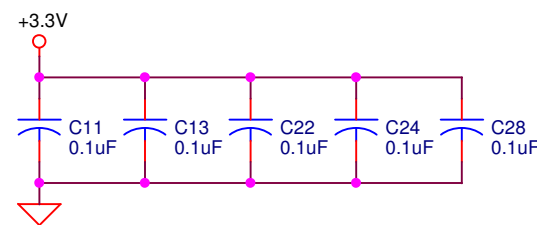
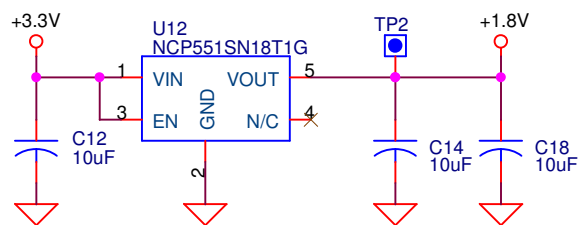
SPI to 10BaseT Ethernet



3.3V POWER



1.8V POWER



www.TinCanTools.com

Title: **BeagleBuddy Zippy Ethernet Combo**

Size: B Document Number: **BB_Zippy_Rev-A** Rev: **A**

Date: Wednesday, August 12, 2009 Sheet 2 of 3

