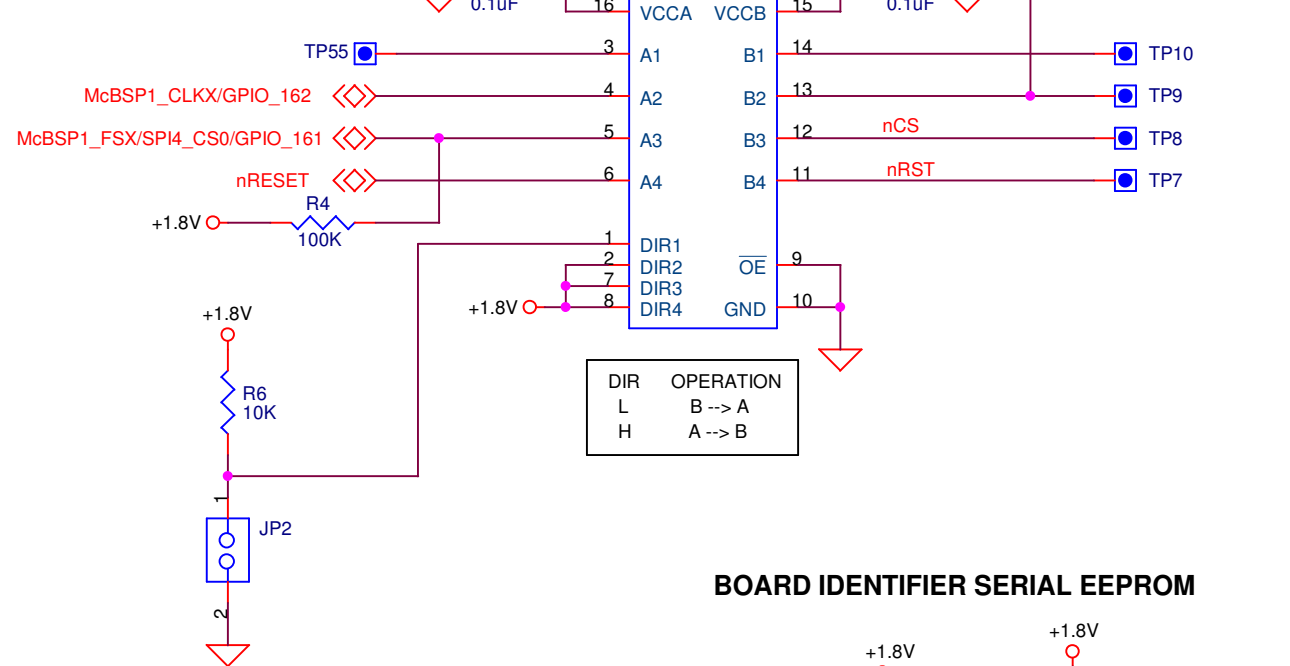
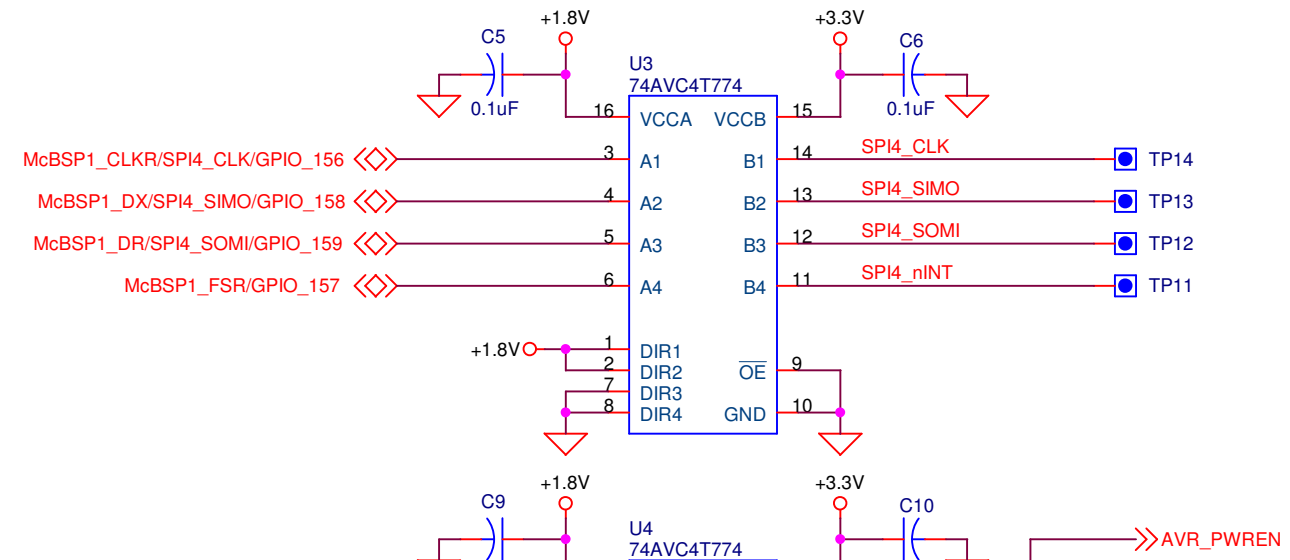
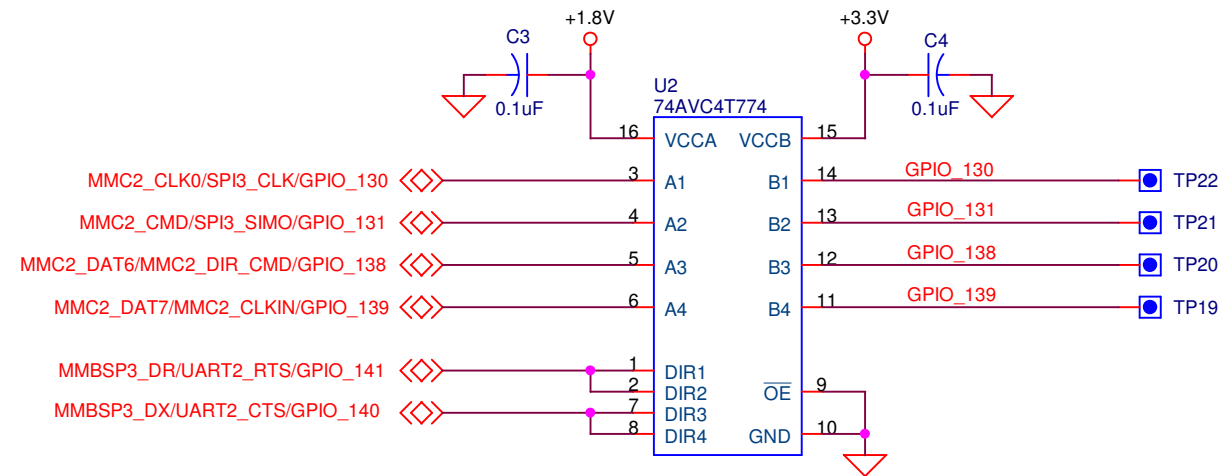
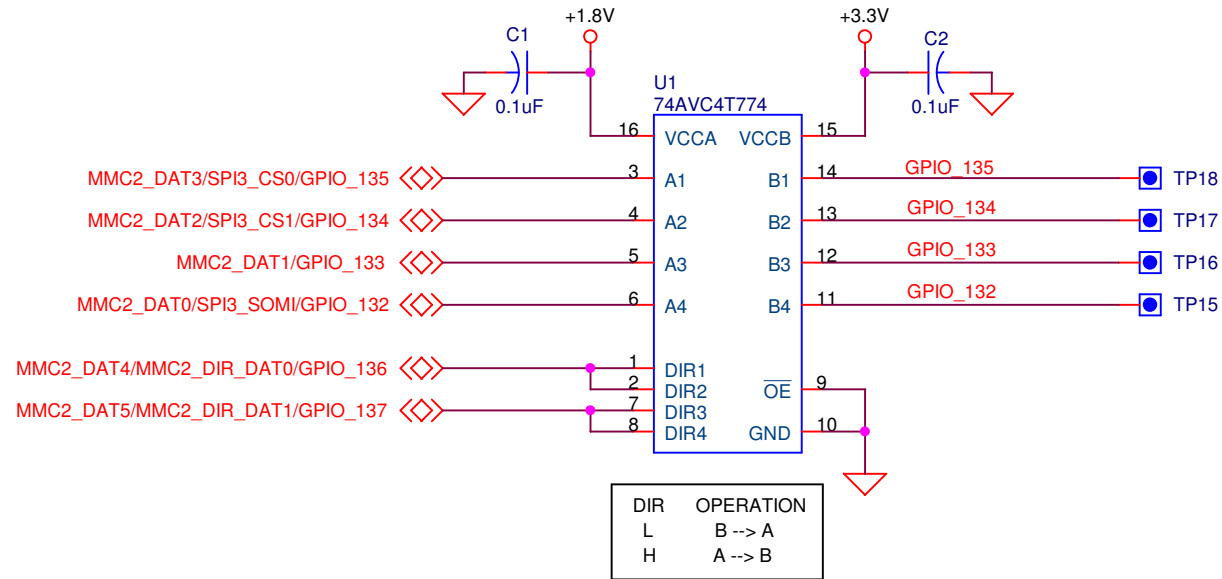
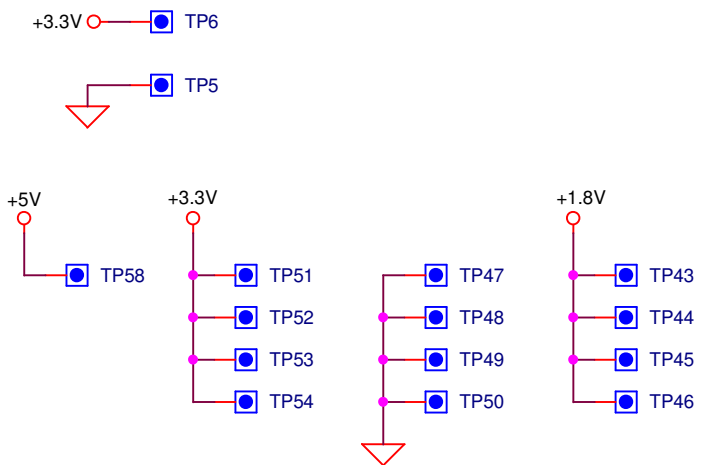
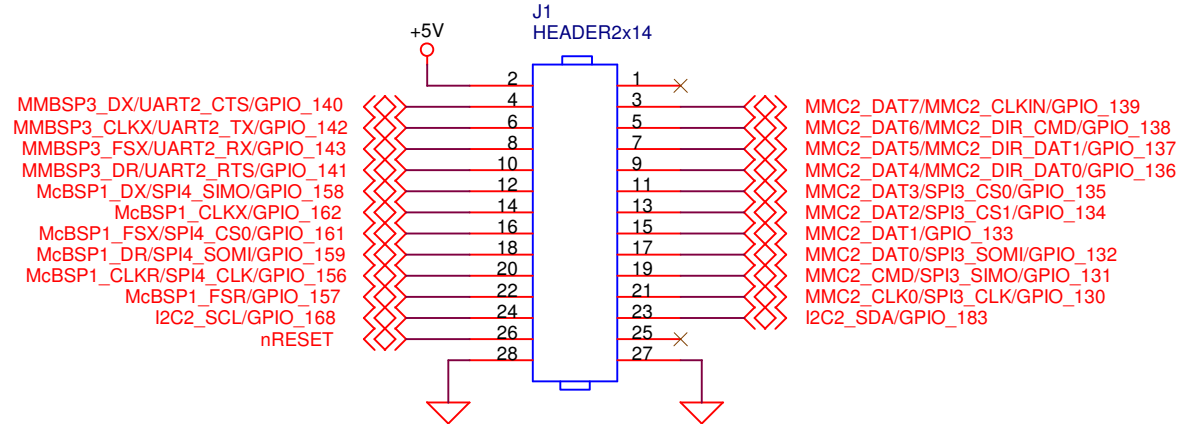


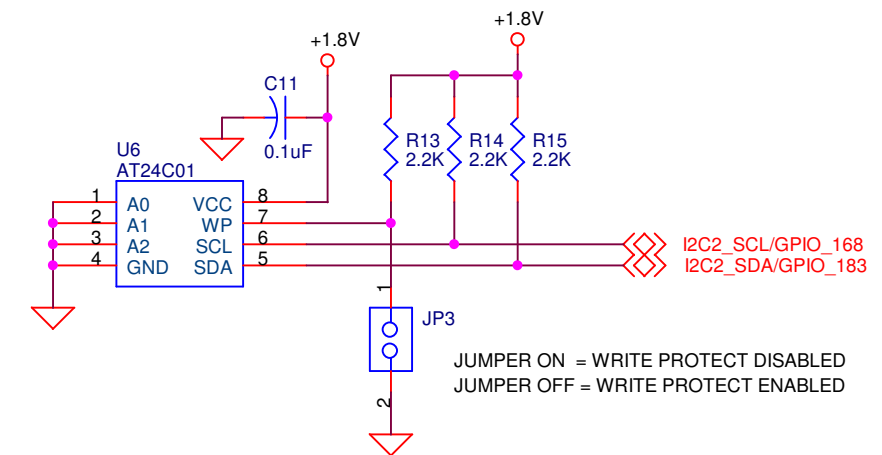
# 1.8V to 3.3V Level Translators



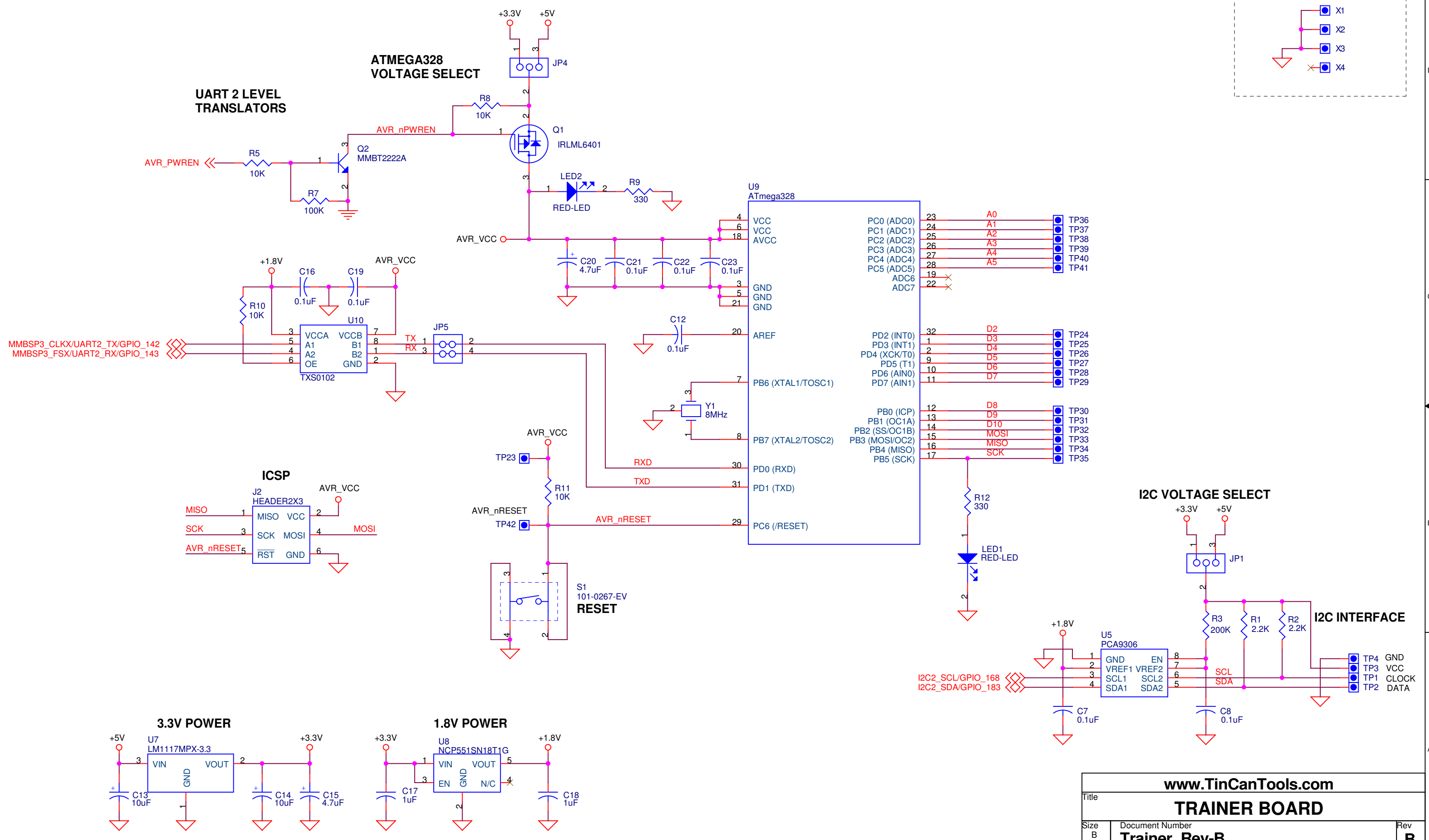
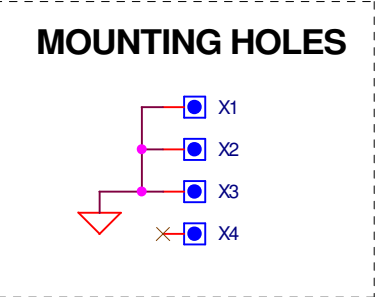
## BEAGLEBOARD EXPANSION CONNECTOR



## BOARD IDENTIFIER SERIAL EEPROM



<b>www.TinCanTools.com</b>		
<b>TRAINER BOARD</b>		
Size B	Document Number <b>Trainer_Rev-B</b>	Rev <b>B</b>
Date: Thursday, March 24, 2011	Sheet 1	of 2



www.TinCanTools.com		
Title <b>TRAINER BOARD</b>		
Size B	Document Number <b>Trainer_Rev-B</b>	Rev <b>B</b>
Date: Thursday, March 24, 2011	Sheet 2	of 2