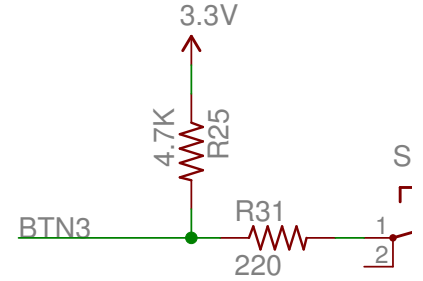
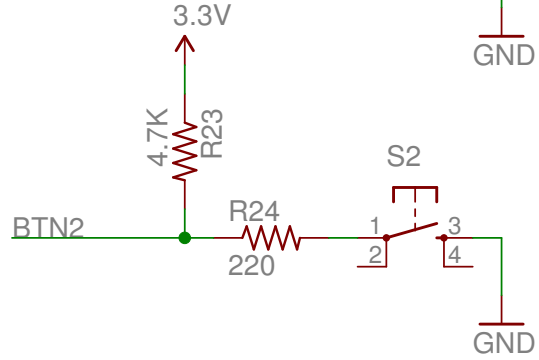
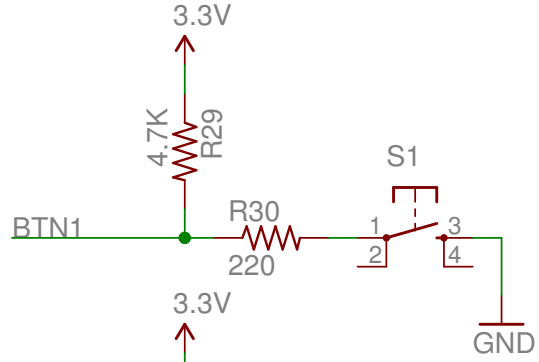
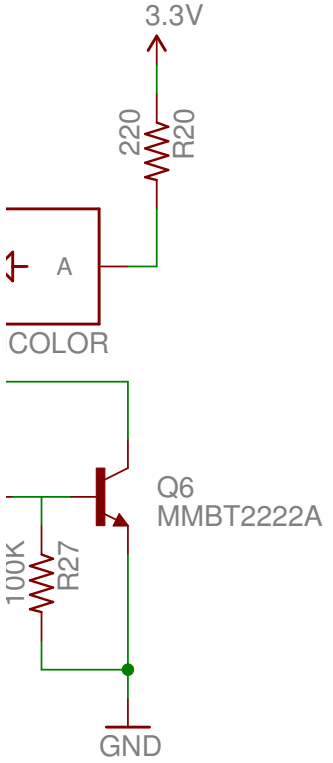
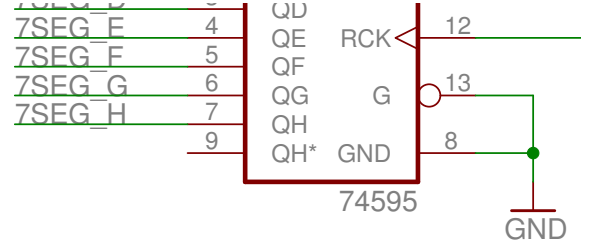
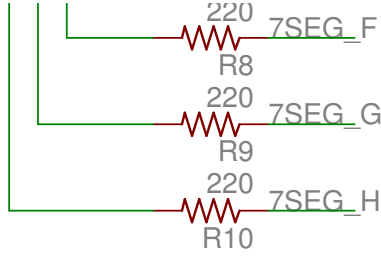


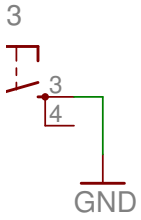
Released under the Creative Commons Attribution Share-Alike 3.0 License
<http://creativecommons.org/licenses/by-sa/3.0>
 Design By: Daniel Jackson



LATCH

| | |
|----|---------------|
| 20 | I2SDO_GPIO |
| 22 | I2SDI_GPIO |
| 24 | PWM0 |
| 21 | PWM1 |
| 23 | GPIO_S5_0 |
| 25 | GPIO_S5_1 |
| 26 | SPIO_S5_2 |
| 1 | ILB_82G1_GPIO |
| 2 | GND |
| | GND |

GND



D

E

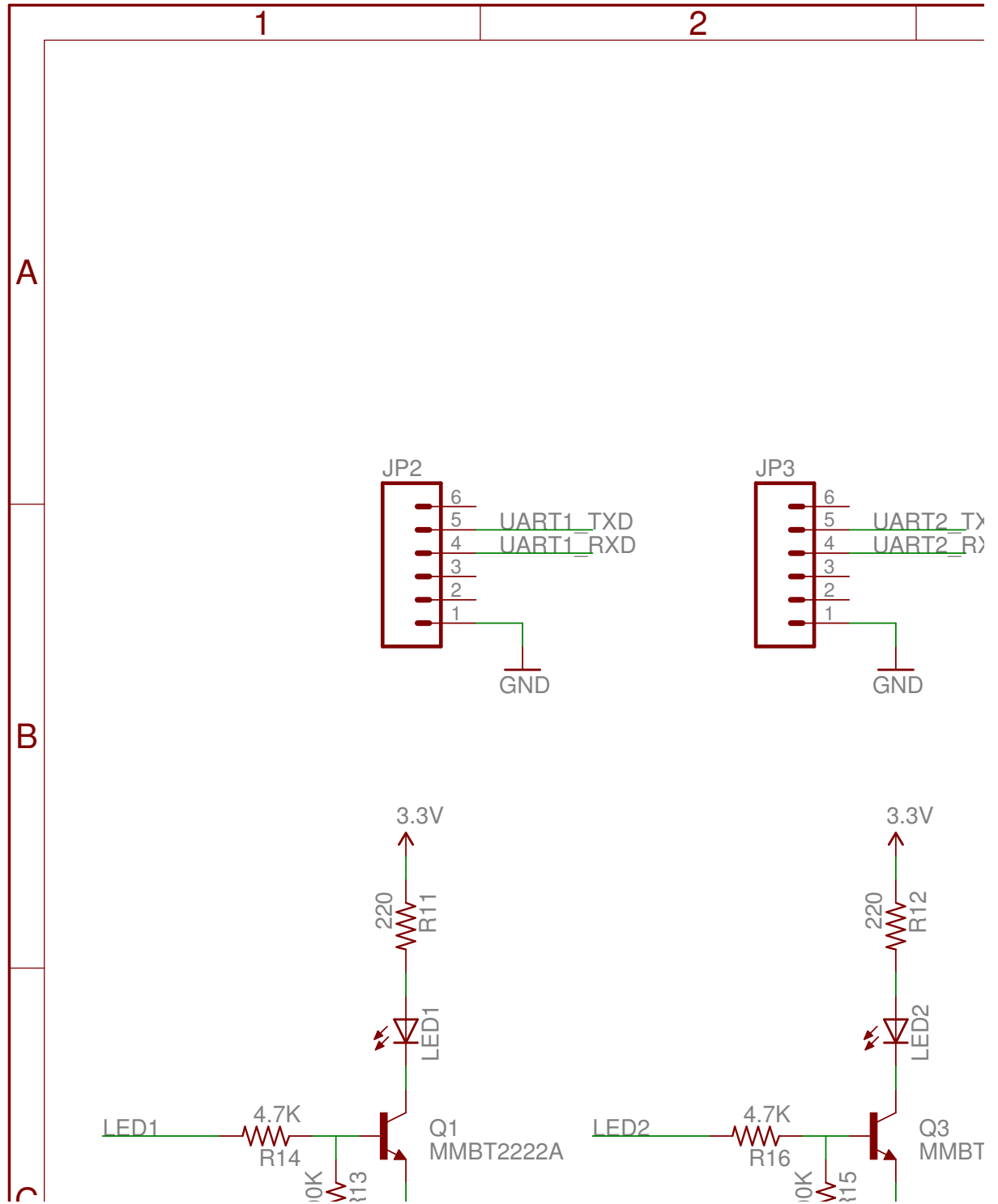
Calamari_Lure_A1

7/11/14 11:48 AM

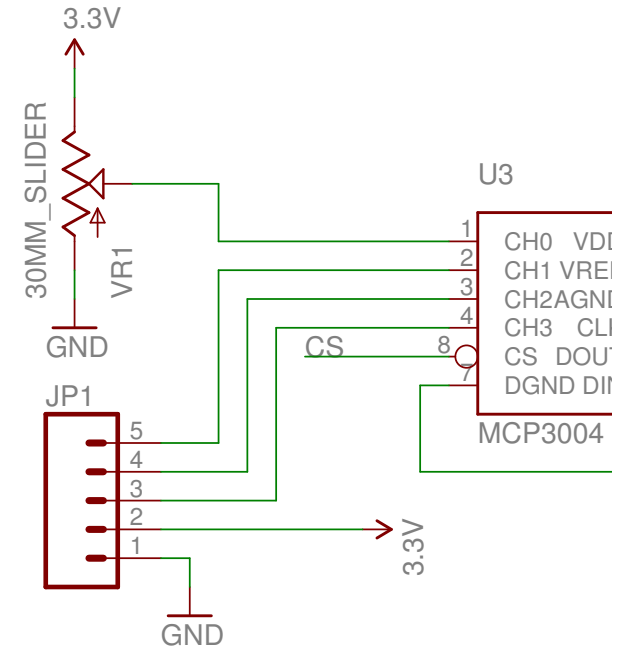
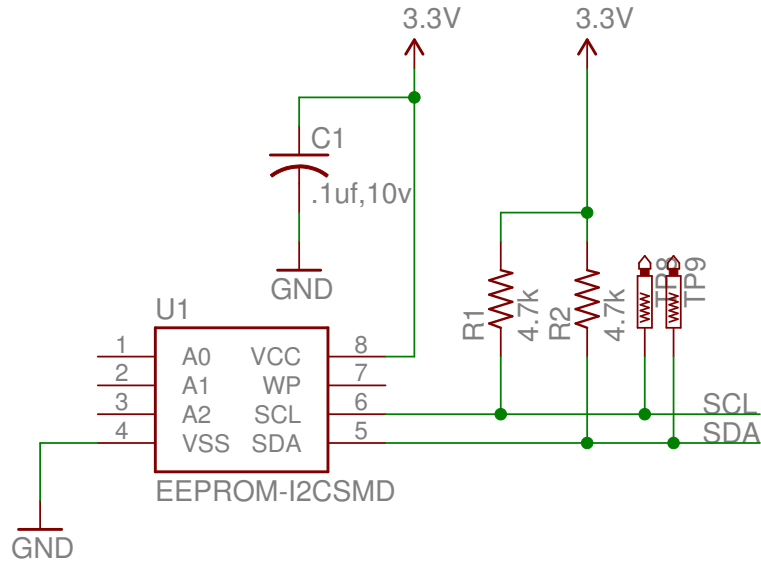
Sheet: 1/1

7

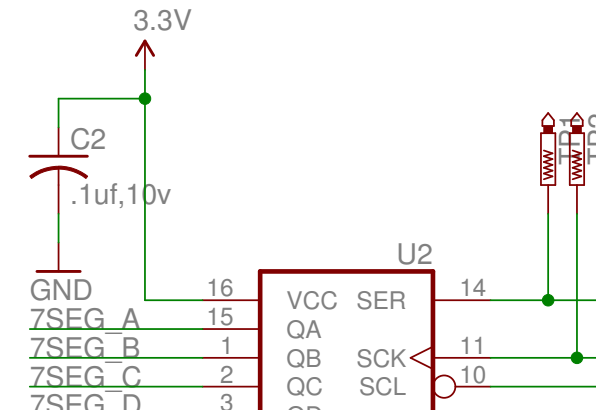
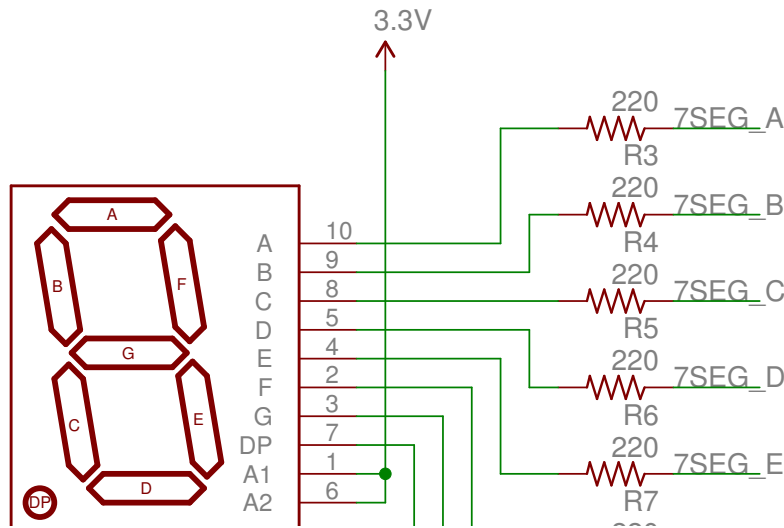
8

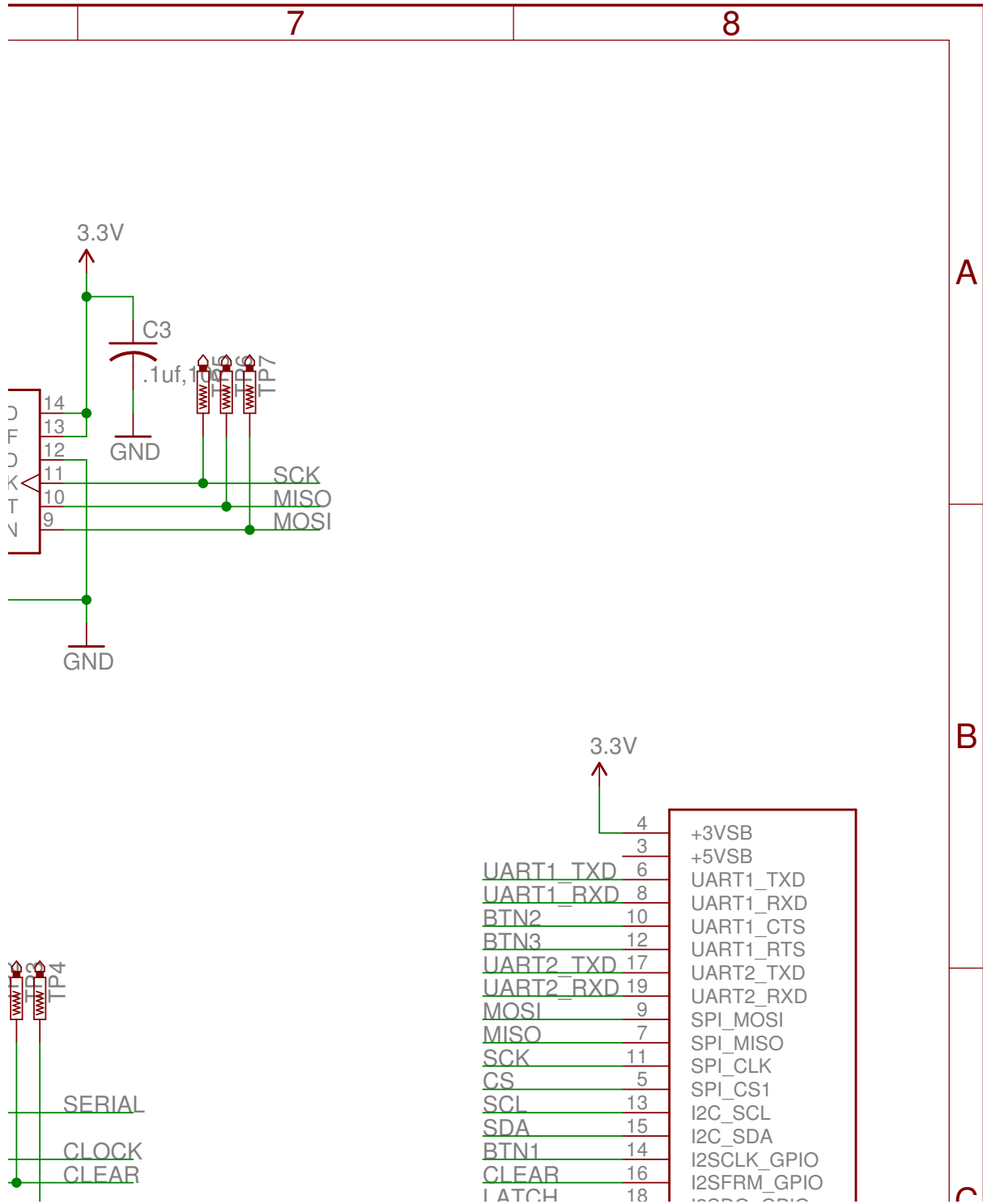


<D
>D



'2222A





A

B

C