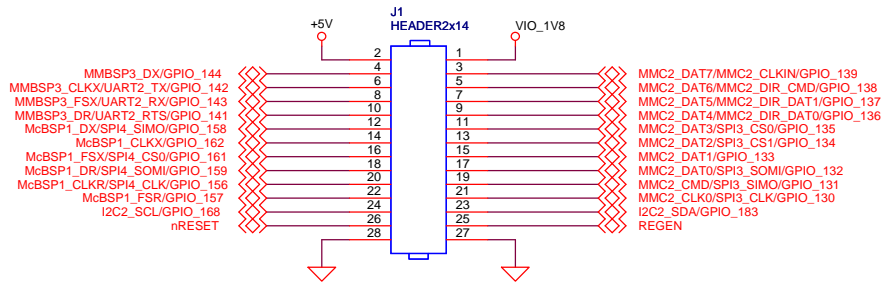
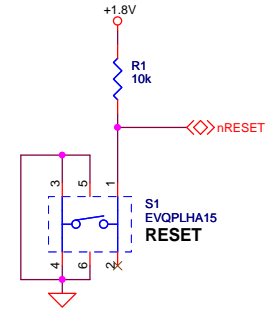
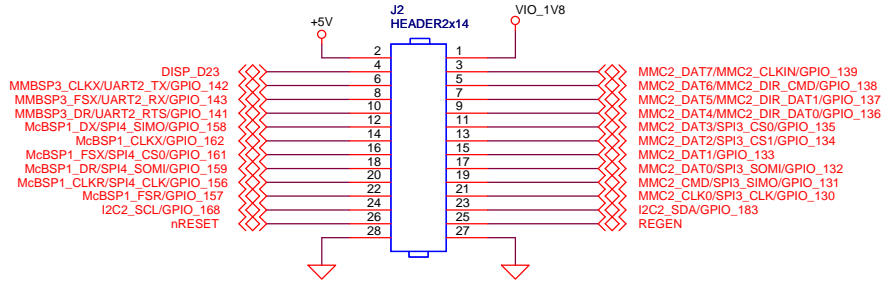


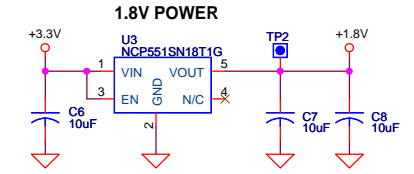
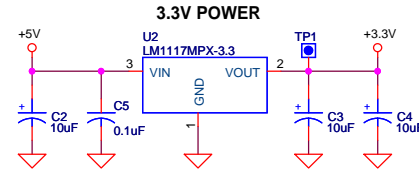
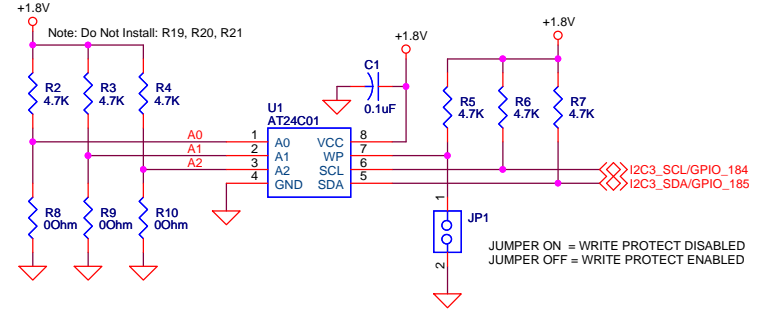
BEAGLEBOARD EXPANSION CONNECTOR INPUT



BEAGLEBOARD EXPANSION CONNECTOR OUTPUT

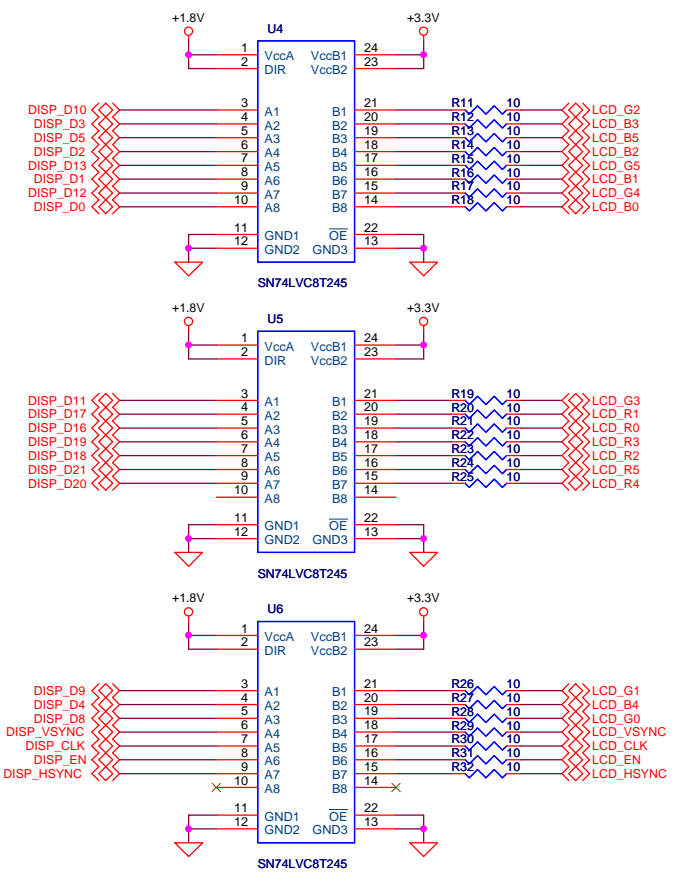


BOARD IDENTIFIER SERIAL EEPROM

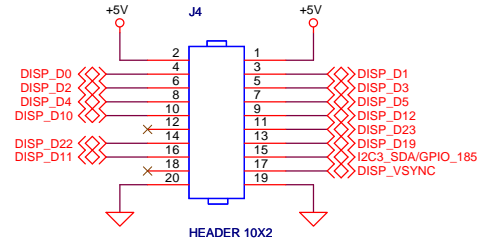


Title	<Title>	
Size	Document Number	Rev
B	<Doc>	<RevCod
Date:	Monday, February 15, 2010	Sheet 1 of 3

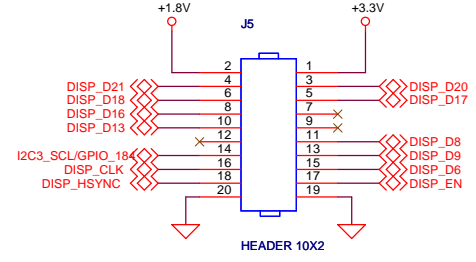
LCD DATA/CONTROL LEVEL SHIFTERS



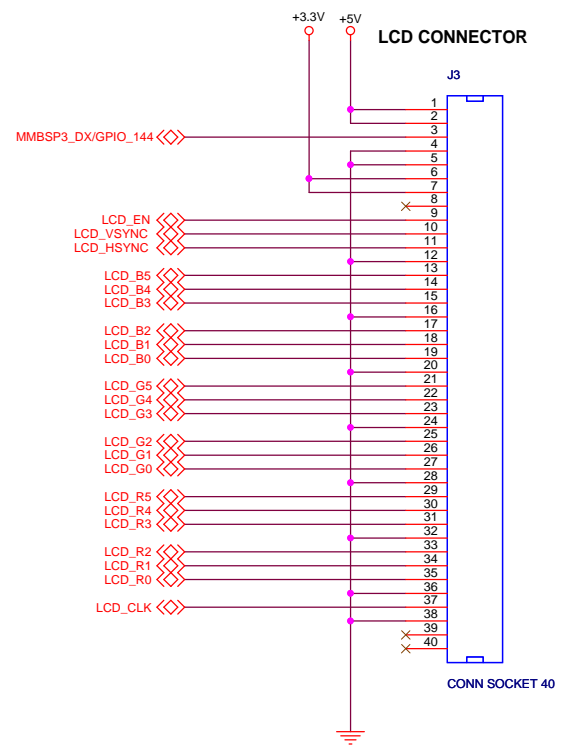
BEAGLEBOARD DISPLAY CONNECTOR J4



BEAGLEBOARD DISPLAY CONNECTOR J5

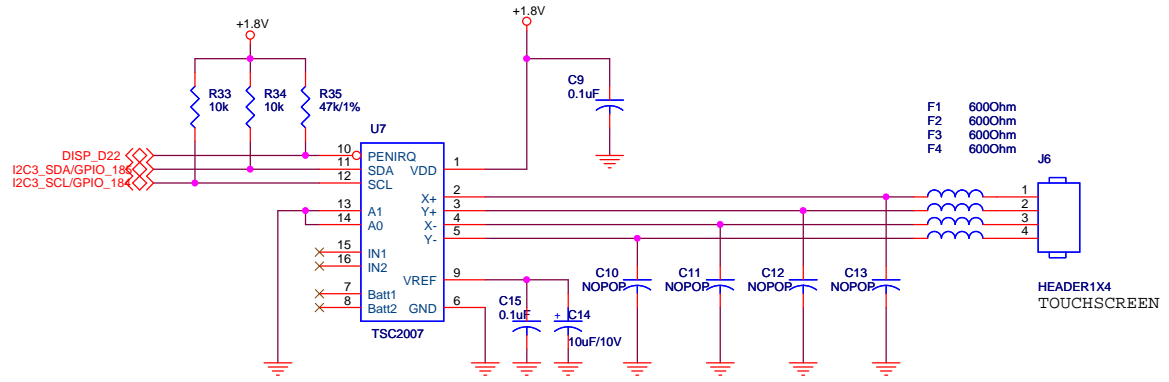


LCD CONNECTOR

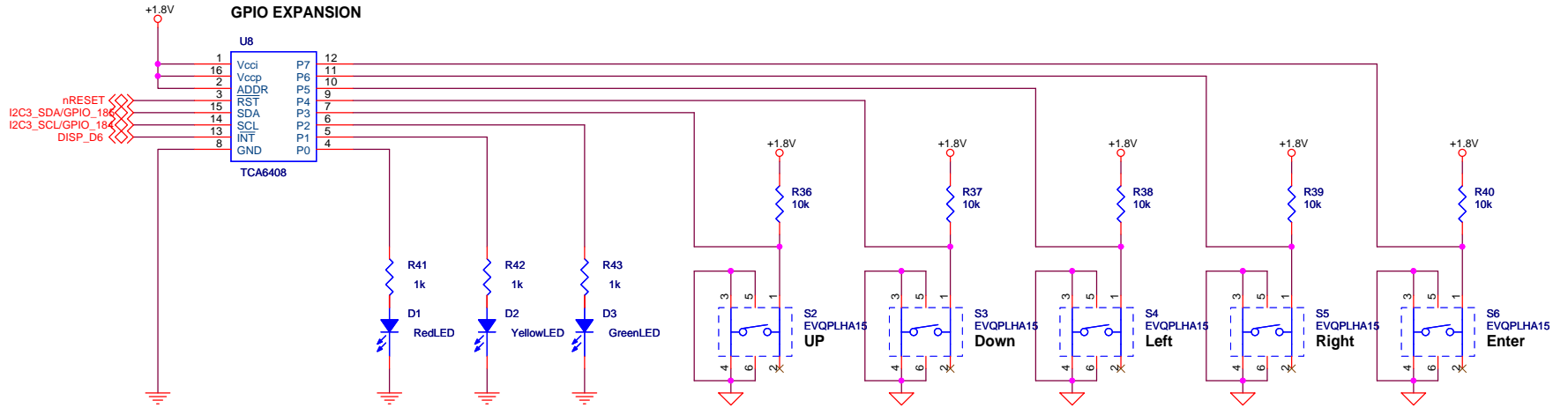


Title		<Title>
Size	Document Number	Rev
B	<Doc>	<RevCod>
Date:	Monday, February 15, 2010	Sheet 2 of 3

IIC Touch Screen Controller



GPIO EXPANSION



Title		<Title>
Size	Document Number	Rev
B	<Doc>	<RevCod
Date:	Monday, February 15, 2010	Sheet 3 of 3