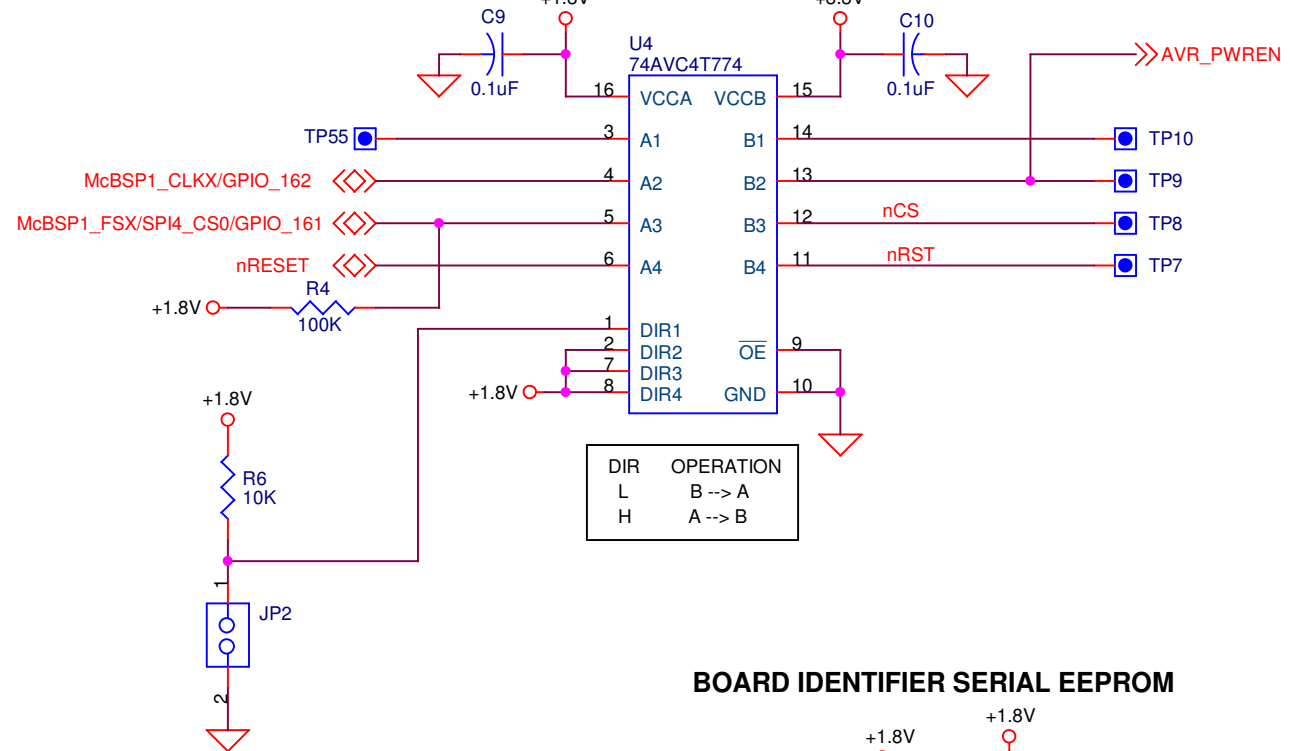
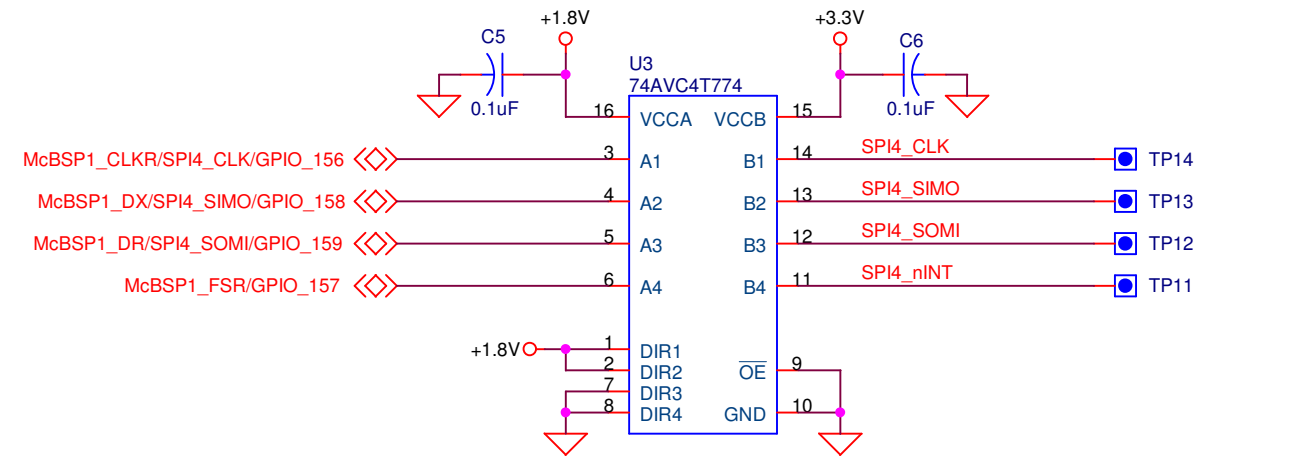
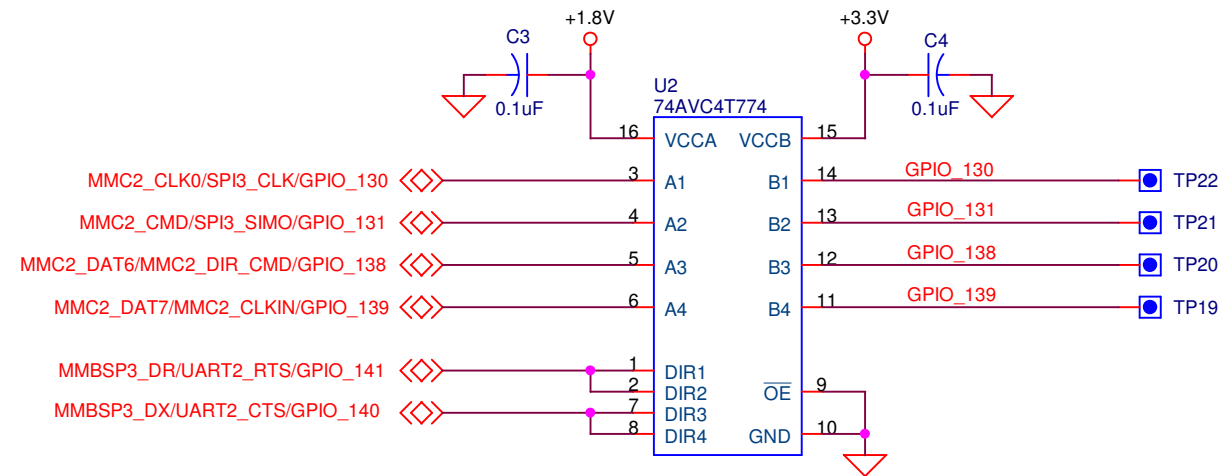
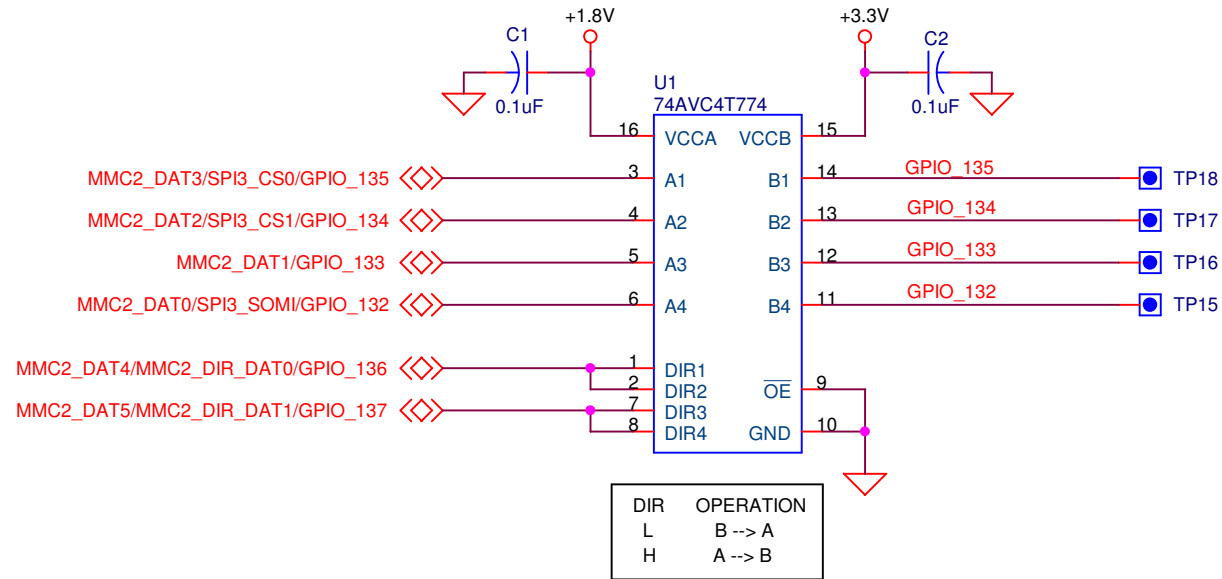
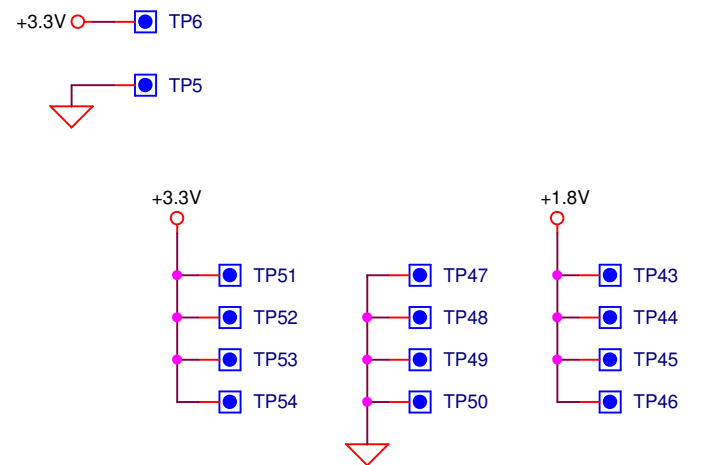
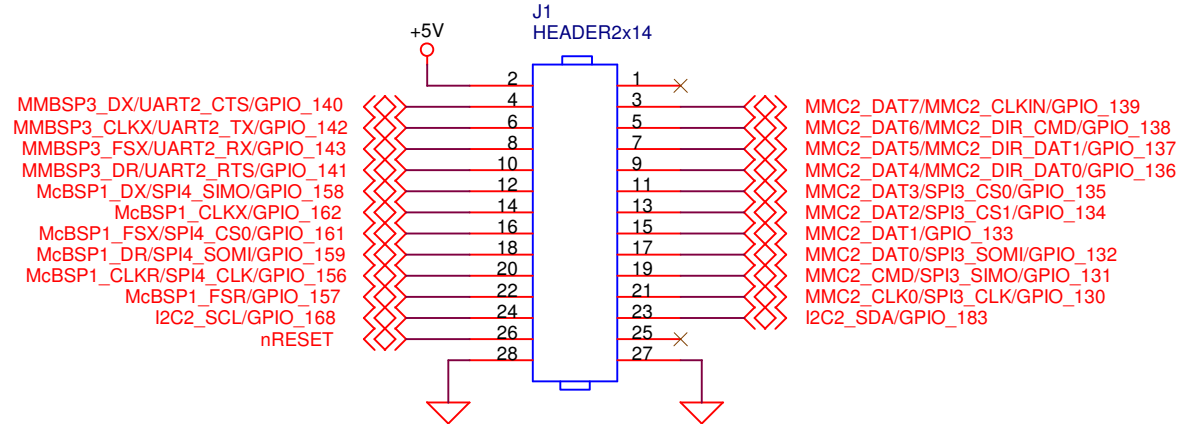


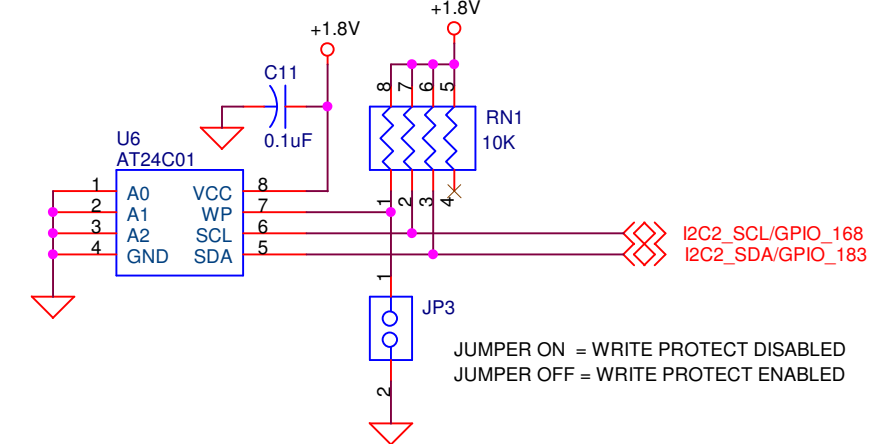
1.8V to 3.3V Level Translators

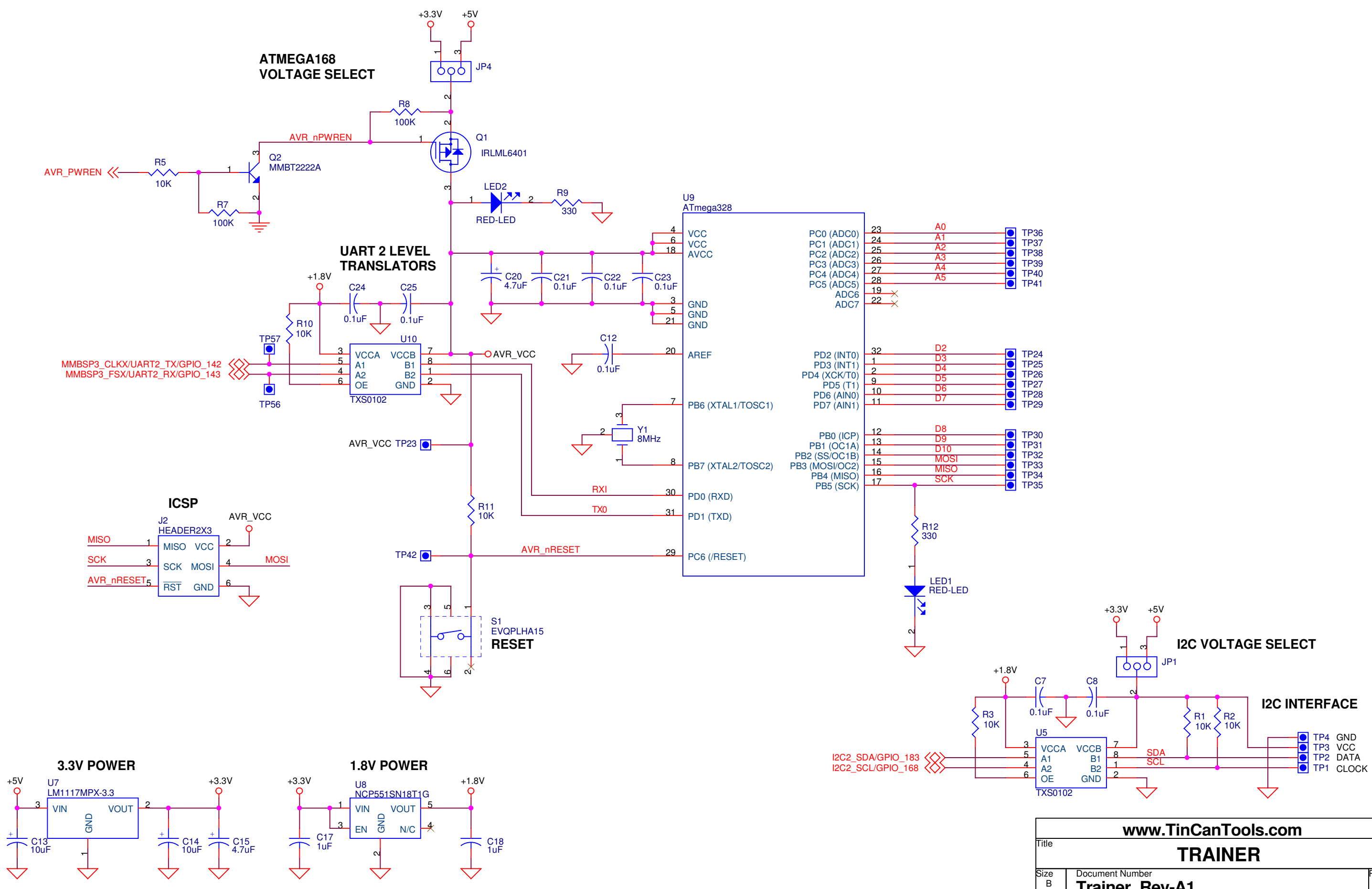


BEAGLEBOARD EXPANSION CONNECTOR



BOARD IDENTIFIER SERIAL EEPROM





www.TinCanTools.com		
TRAINER		
Size B	Document Number Trainer_Rev-A1	Rev A1
Date: Tuesday, April 6, 2010	Sheet 2	of 2