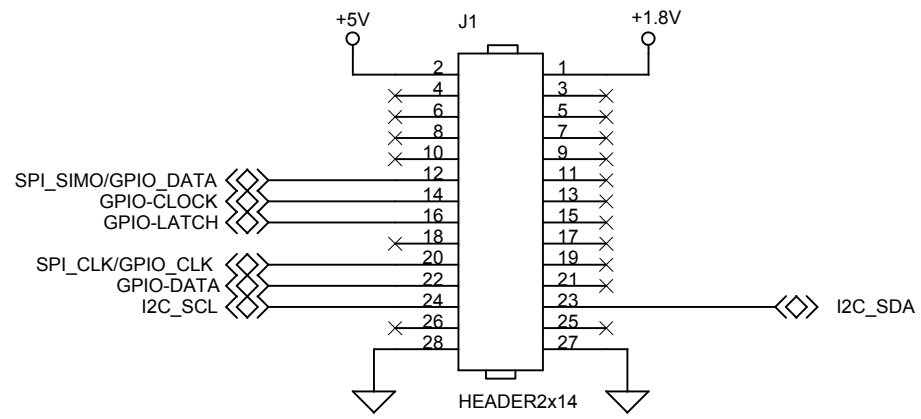
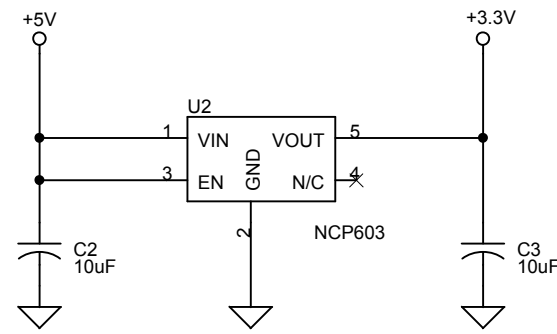


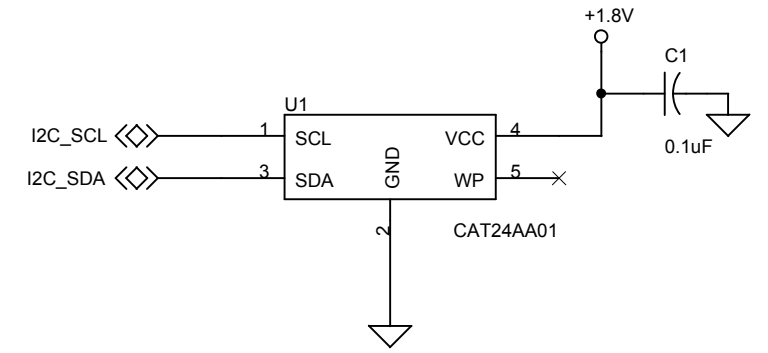
### EXPANSION CONNECTOR



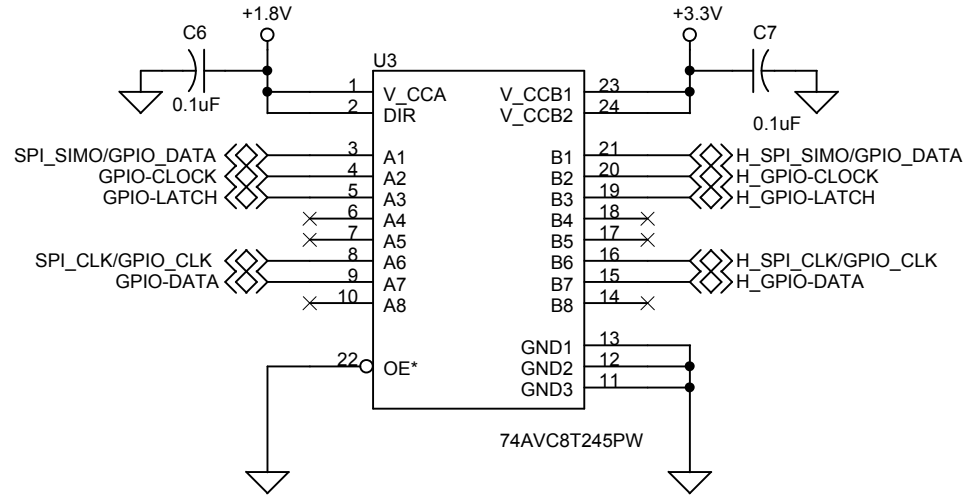
### LDO +3.3V@300mA



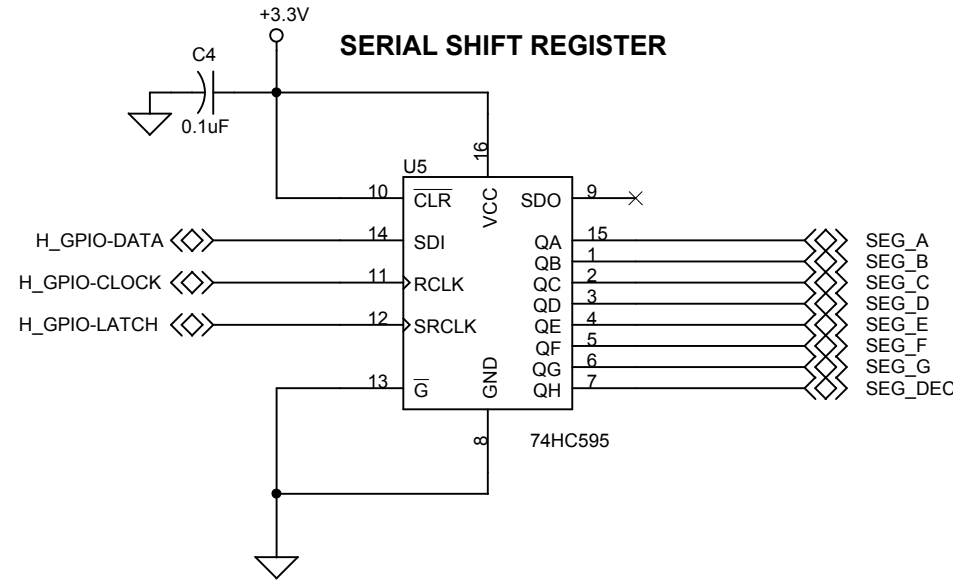
### CONFIGURATION EEPROM



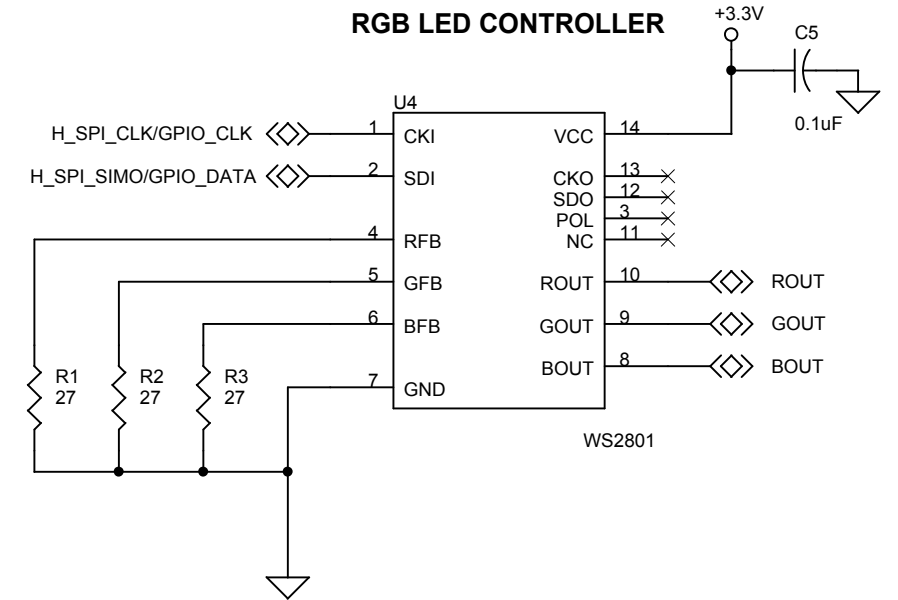
### LEVEL SHIFTER



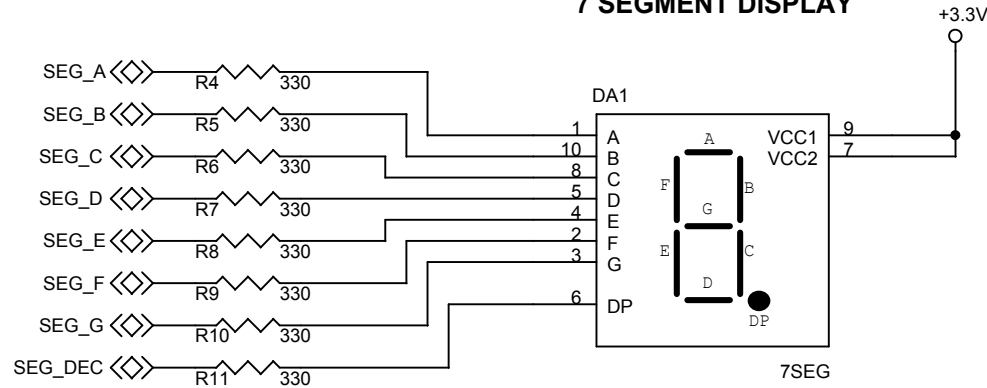
### SERIAL SHIFT REGISTER



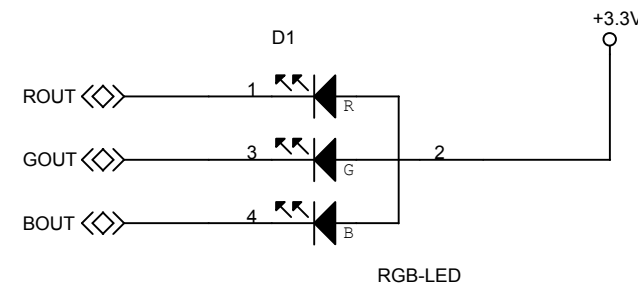
### RGB LED CONTROLLER



### 7 SEGMENT DISPLAY



### COMMON ANODE RGB LED



www.TinCanTools.com

Title		
<b>BEACON BOARD</b>		
Size	Document Number	Rev
B	<b>beacon_rev-01</b>	<b>01</b>
Date:	Saturday, July 16, 2011	Sheet 1 of 1