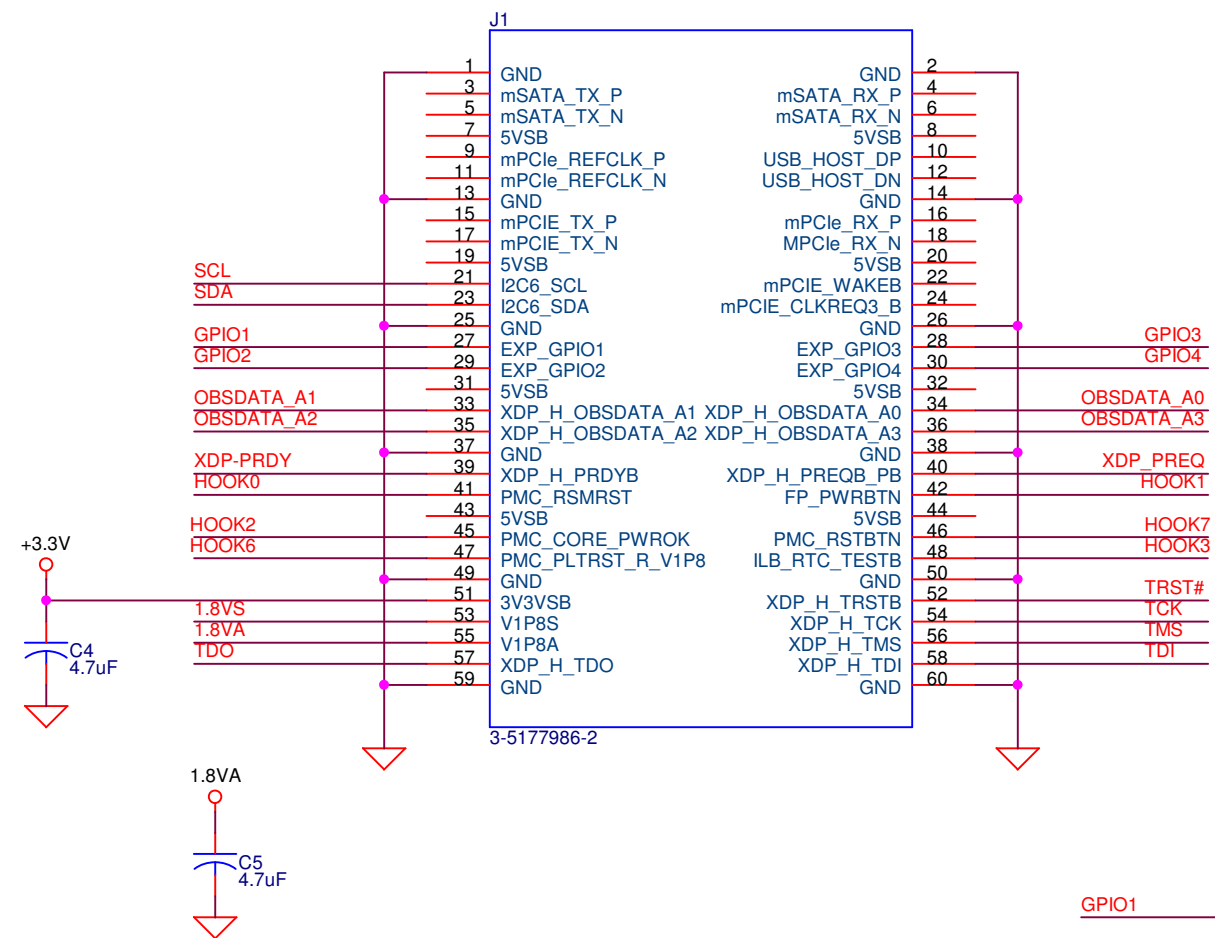
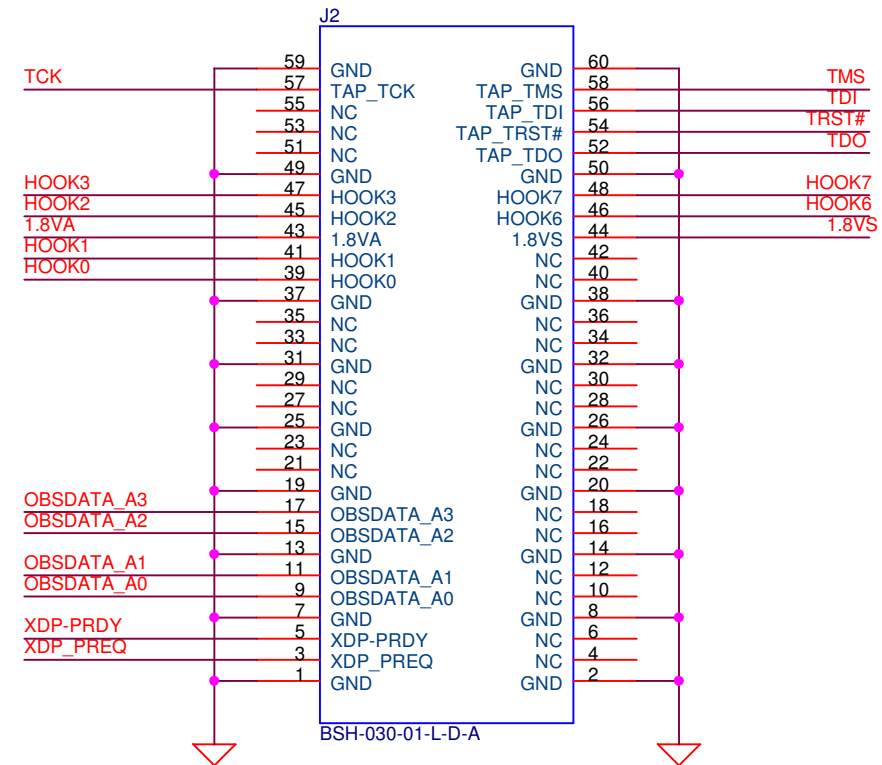


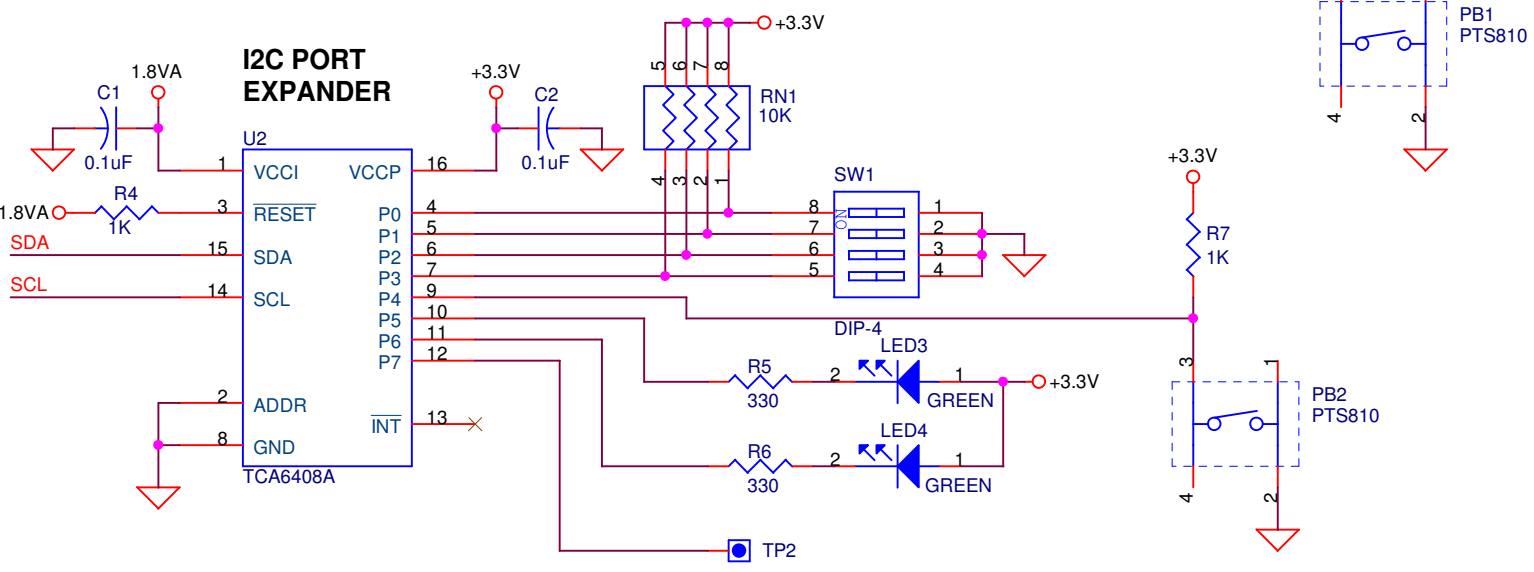
HSE Interface



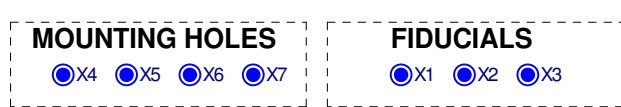
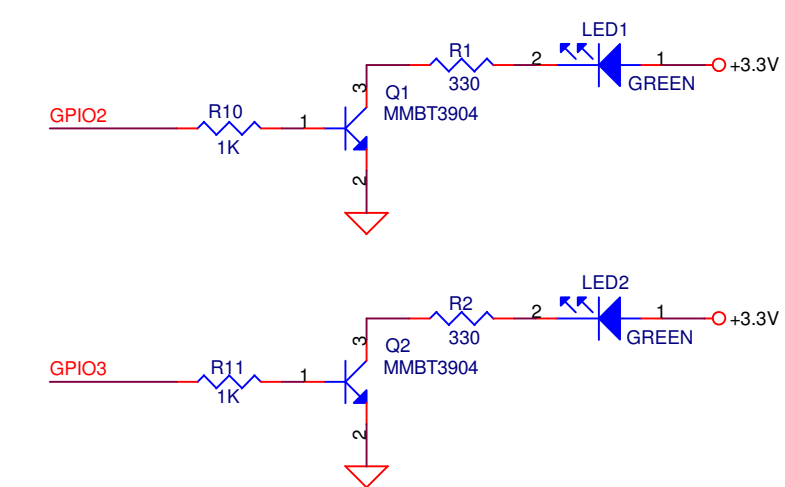
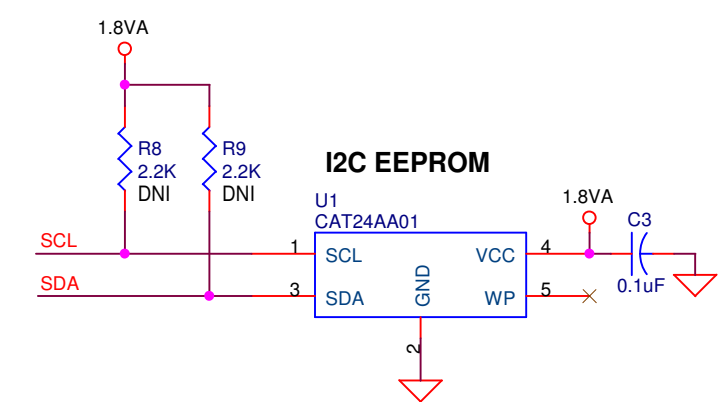
JTAG Interface



I2C PORT EXPANDER



I2C EEPROM



Released under the Creative Commons Attribution-NonCommercial 4.0 International License
<http://creativecommons.org/licenses/by-nc/4.0/>
 Designed by Rusty Herod

www.TinCanTools.com

Title: **Debugger Lure**

Size: B	Document Number: Debugger Lure_Rev-A	Rev: A
Date: Wednesday, September 23, 2015	Sheet: 1 of 1	

DNI = DO NOT INSTALL