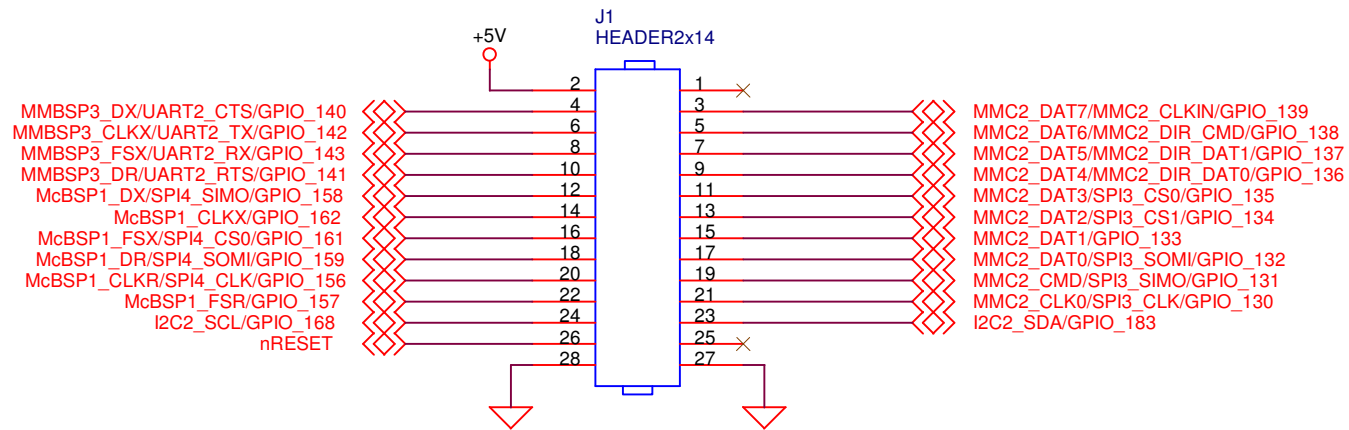
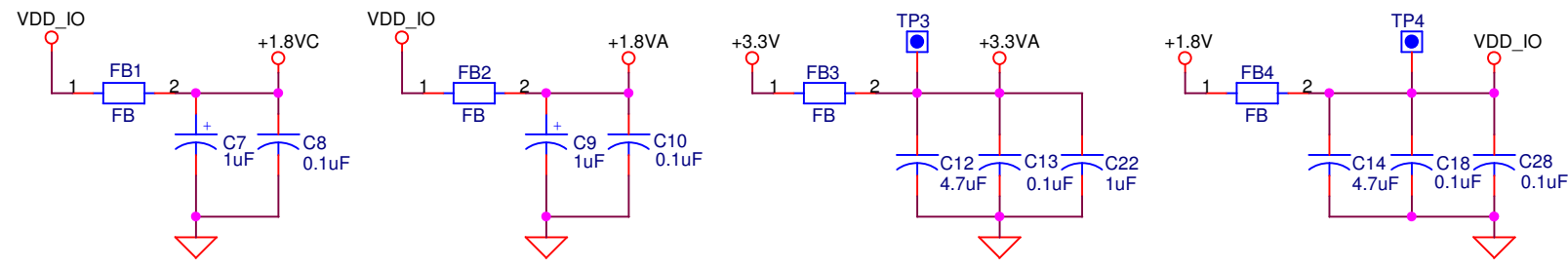
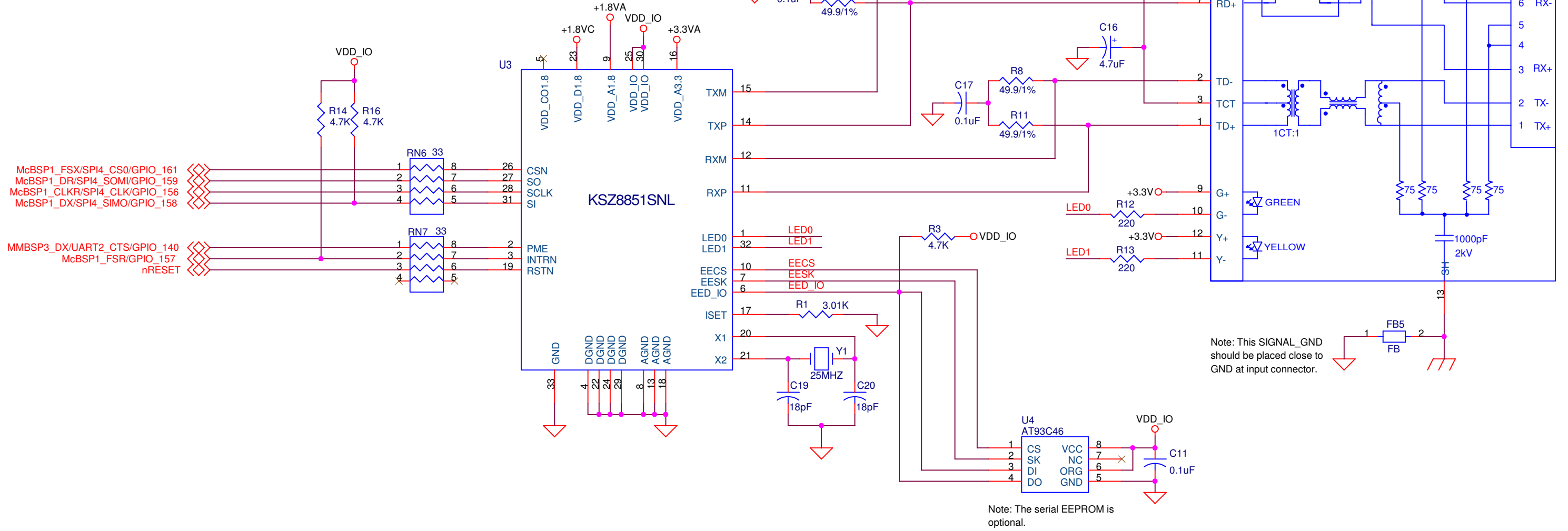


**BEAGLEBOARD EXPANSION CONNECTOR**



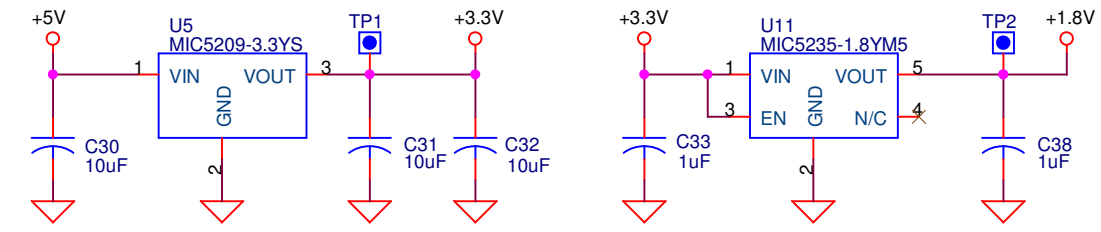


### SPI to 10/100BaseT Ethernet



### 3.3V POWER

### 1.8V POWER



www.TinCanTools.com		
Title <b>KSZ8851SNL-BBE-EVAL</b> (Zippy 2 - Ethernet Combo Board)		
Size B	Document Number <b>Zippy_II_Rev-B</b>	Rev <b>B</b>
Date: Tuesday, October 13, 2009	Sheet 2	of 3

